

# TABLE OF CONTENTS

## EATON/FULLER® TYPE

### REPLACES:

EATON/FULLER® 262-265.....	2-3
EATON/FULLER® 280-282-285-280VO .....	4-5
EATON/FULLER® 390-551-557-559 SERIES .....	6-9
EATON/FULLER® FS4005.....	10-11
EATON/FULLER® FS4205 SERIES.....	12-13
EATON/FULLER® FS5005 SERIES.....	14-15
EATON/FULLER® FS5106, FS6206 SERIES.....	16-17
EATON/FULLER® FS5205 SERIES.....	18-19
EATON/FULLER® FS6205 SERIES.....	20-21
EATON/FULLER® FS6305 SERIES.....	22-24
TREMEC® FSM-5005 SERIES .....	25-27
MID-RANGE EATON/FULLER INTERCHANGE.....	28-31

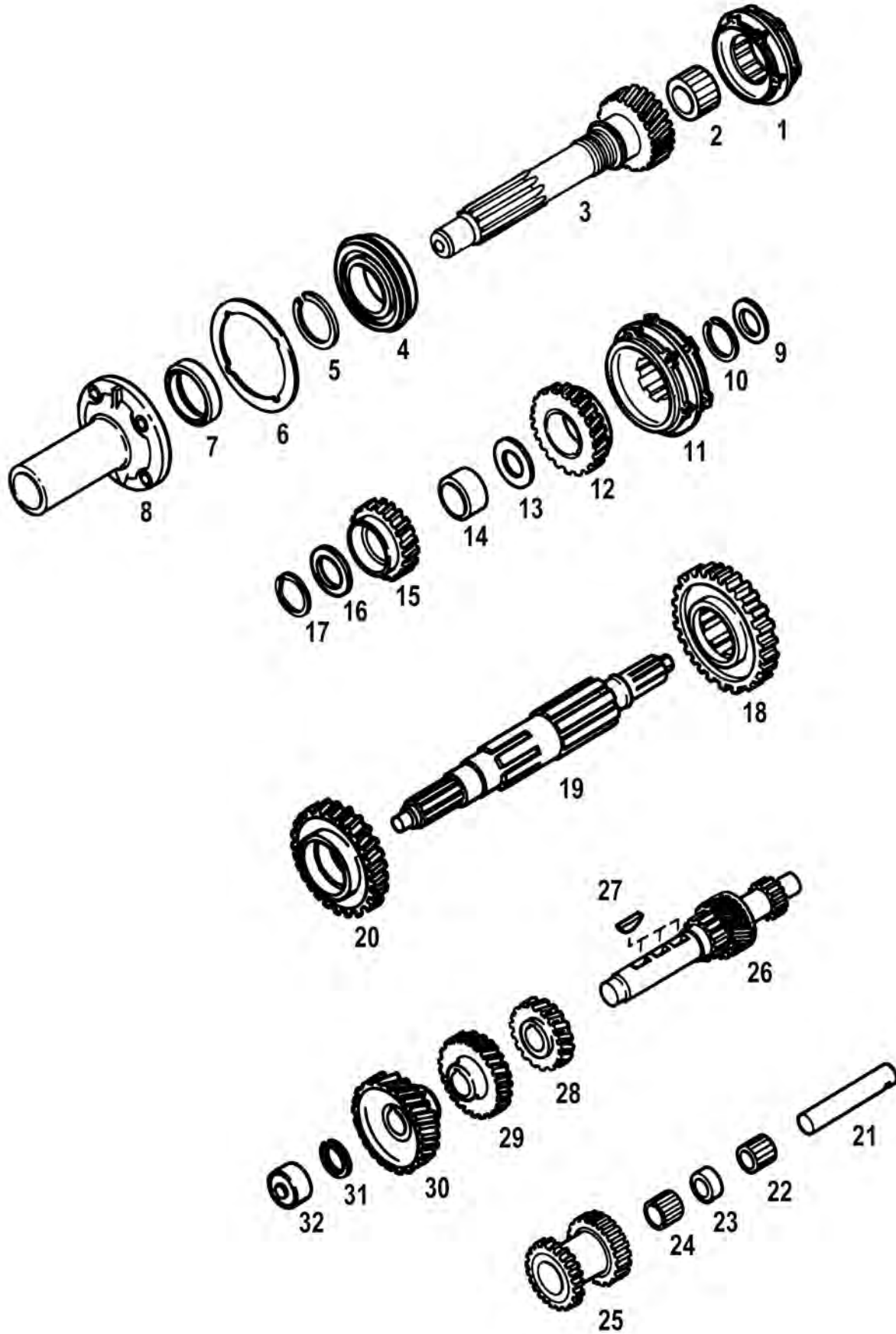
## SPICER® TYPE

### REPLACES:

SPICER® 1414-3A, SPO140-12B, 120-12A (14-18 SPEED).....	32-35
SPICER® 3000 CV33, CV34 (5 SPEED).....	36-37
SPICER® CM40 .....	38-39
SPICER® CM49 .....	40-41
SPICER® CM50, 5000 SERIES .....	42-44
SPICER® CM55 .....	45-47
SPICER® CM60, 6052, 6252, 6253, 6352 .....	48-49
SPICER® ES60-5.....	50-51
SPICER® ES52-7B/ESO66-7B (101).....	52-55
SPICER® PS-125-9A & PSO140-9A .....	56-59
SPICER® TRANSMISSION PARTS INTERCHANGE .....	60-67
WARRANTY .....	72

PARTS LISTED IN THIS CATALOG ARE NOT NECESSARILY MANUFACTURED BY THE ORIGINAL EQUIPMENT MANUFACTURER AND ANY REFERENCE TO THE TRADEMARKS OR PART NUMBERS OF OTHERS ARE FOR CROSS REFERENCE INFORMATIONAL PURPOSES ONLY. THE PHOTOS PROVIDED HEREIN ARE PROVIDED ONLY FOR ILLUSTRATIVE PURPOSES. THE ACTUAL PRODUCTS SUPPLIED MAY DIFFER. THE TRADEMARKS OF OTHERS REFERRED TO HEREIN ARE OWNED BY THEIR RESPECTIVE COMPANIES AND ARE NOT AFFILIATED IN ANY WAY WITH MIDWEST TRUCK & AUTO PARTS, INC.™. WORLD AMERICAN®, MOTIVE GEAR® AND MOTIVE GEAR PERFORMANCE® ARE REGISTERED TRADEMARKS OF MIDWEST TRUCK & AUTO PARTS, INC.™. USE OF THE ® IN CONNECTION WITH A MARK OF MIDWEST TRUCK & AUTO PARTS, INC.™ INDICATES THAT THE MARK IS REGISTERED IN AT LEAST THE UNITED STATES. NO REPRESENTATION IS MADE WITH RESPECT TO THE SOURCE OF MANUFACTURE OF ANY PARTICULAR PART. WHILE EVERY EFFORT IS MADE TO PROVIDE ACCURATE INFORMATION, NO GUARANTEE IS PROVIDED AS TO THE ACCURACY OF THE INFORMATION CONTAINED HEREIN. WE ARE NOT RESPONSIBLE FOR TYPOGRAPHICAL ERRORS. © 2011, MIDWEST TRUCK & AUTO PARTS, INC.™ ALL RIGHTS RESERVED.

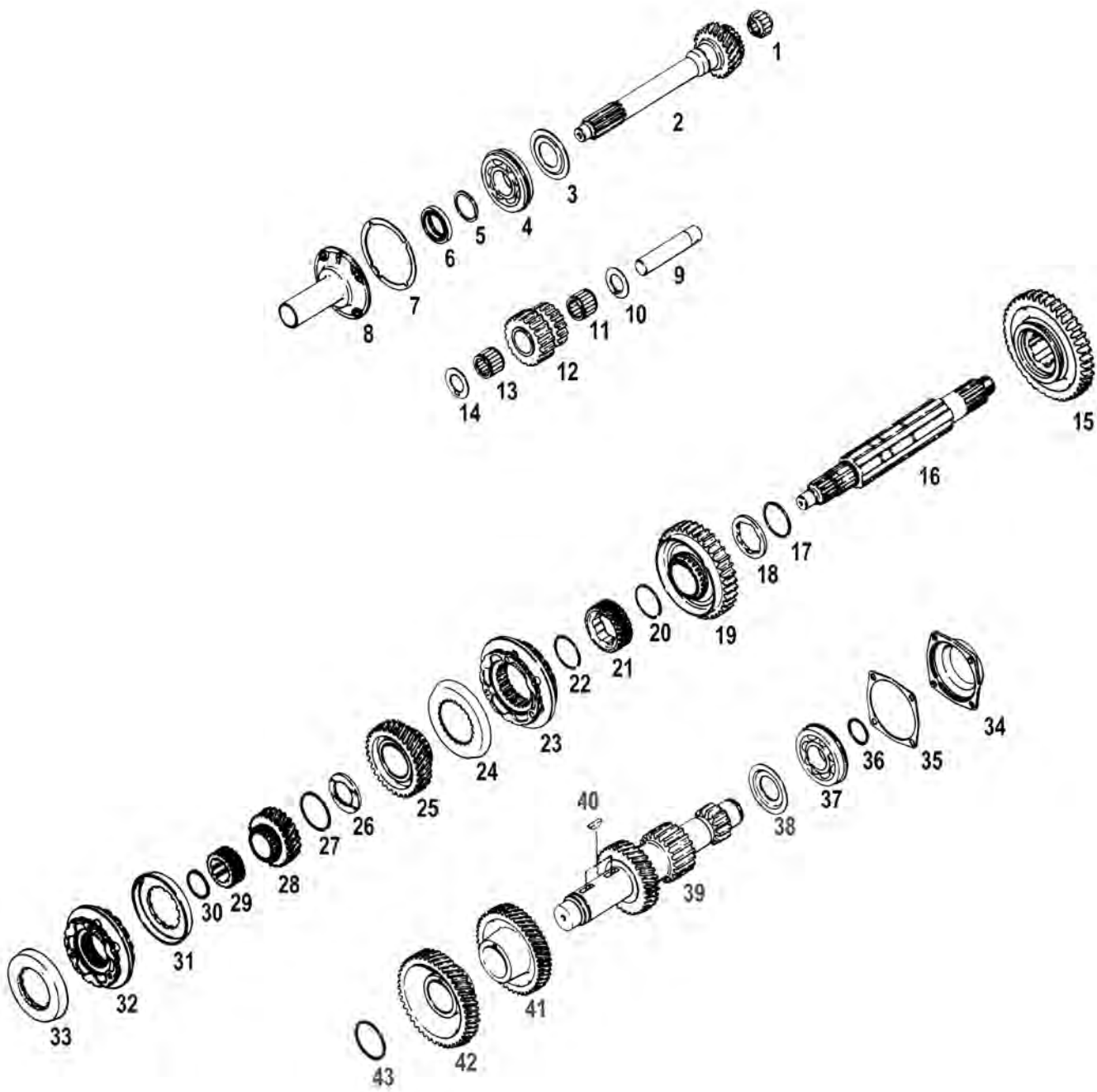
# EATON/FULLER<sup>®</sup> TYPE 262 - 265



# EATON/FULLER® TYPE 262 - 265

FIGURE	DESCRIPTION	OEM REF#	WORLD AMERICAN™ #
1	SYNCHRONIZER 4TH & 5TH 220255	AWT263-2.5B	
2	BEARING	227081	FC65454
3	MAIN DRIVE GEAR	220256	WT263-16A
	MAIN DRIVE GEAR	227079	WT273-16D
	MAIN DRIVE GEAR	2601272	WT273-16ES
	MAIN DRIVE GEAR	2601278	WT263-16ES
4	BEARING	223724	223724
5	SNAP RING	224075	224075
6	SNAP RING	201751	201751
7	SNAP RING	239614	239614
8	M/D GEAR RETAINER	227078	263-6
9	WASHER	221015	22015
10	SNAP RING	224070	224075
11	SYNCHRONIZER 2ND & 3RD 228121	AWT263-2.5	
12	M/S 3RD GEAR	220279	WT263-34A
	M/S 3RD GEAR	220280	WT263-34
13	WASHER	227082	227082
14	BUSHING	209839	WT263-19
15	M/S 4TH GEAR	220522	WT273-15
	M/S 4TH GEAR	220278	WT263-15A
16	WASHER	223677	223677
	WASHER	223678	223678
	WASHER	223678	223678
17	SNAP RING	224069	224069
18	M/S 1ST GEAR	220270	WT263-12
19	MAINSHAFT	227075	WT263-2B
	MAINSHAFT	222959	WT263-2A
	MAINSHAFT	206952	WT263-2
	MAINSHAFT	227360	WT263-2C
20	M/S 2ND GEAR	228119	WT263-31
21	IDLER SHAFT REV	203609	WT215-35B
22	BEARING	201989	F54970
23	BUSHING	206975	206975
24	BEARING	201989	F54970
25	IDLER REVERSE GEAR	215803	WT263-10C
26	COUNTERSHAFT	219399	WT263-3B
27	C/S KEY	5J-1010	5J-1010
28	C/S 3RD GEAR	220273	WT263-11A
29	C/S 3RD GEAR	219409	WT263-11J
	C/S 4TH GEAR	220252	WT273-34
	C/S 4TH GEAR	220272	WT265-31D
30	C/S DRIVE GEAR	220271	WT215-8
	C/S DRIVE GEAR	220253	WT273-9
31	WASHER	224026	224026
32	BEARING	228285	BCE2816
N/A	STEEL BALL	J1010	J10-10
N/A	SMALL PARTS KIT		
N/A	GASKET KIT		

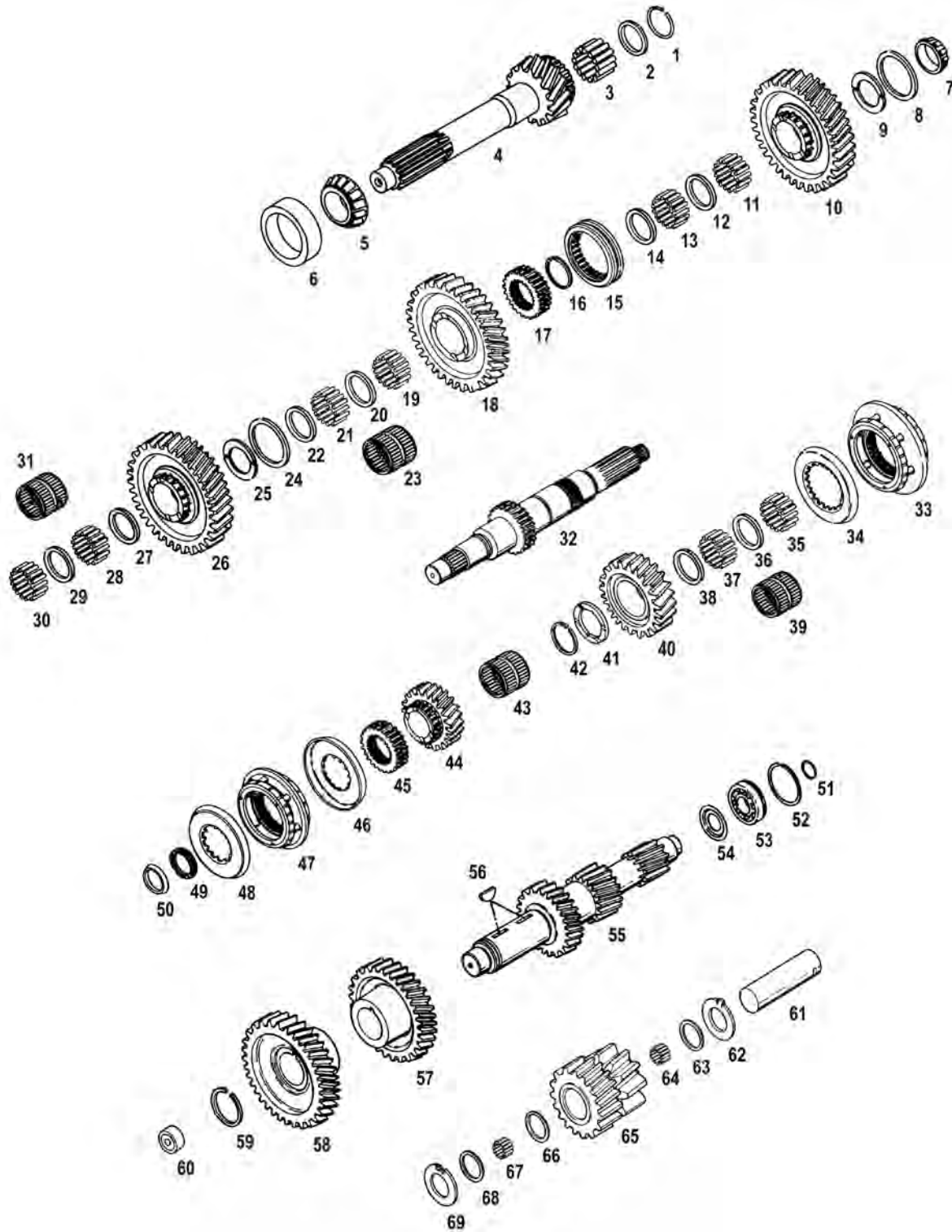
# EATON/FULLER<sup>®</sup> TYPE 280 - 282 - 285 - 280VO



# EATON/FULLER® TYPE 280 - 282 - 285 - 280VO

FIGURE	DESCRIPTION	OEM REF#	WORLD AMERICAN™ #
1	BEARING	227081	FC65454
2	MAIN DRIVE GEAR (24-25T)	230209	WT305-16
	MAIN DRIVE GEAR (22-25T)	228340	WT305-16A
	MAIN DRIVE GEAR (22-25T)	230207	WT305-16F
	MAIN DRIVE GEAR (22-25T)	233200	WT305-16G
	MAIN DRIVE GEAR (22-25T)	228341	228341
	MAIN DRIVE GEAR (22-25T)	237511	237511
	MAIN DRIVE GEAR (25-21T)	238036	238036
	MAIN DRIVE GEAR (25-21T)	237742	237742
	MAIN DRIVE GEAR (25-22T)	238058	238058
	MAIN DRIVE GEAR (24T)	228605	WT327-16K
3	OIL BAFFLE	235419	235419
4	BEARING	227080	N309L
5	RETAINING RING	224069	224069
6	OIL SEAL	229366	239366
7	SHIM KIT	K2135	K2135
8	F.B.RETAINER	230211	WT305-6C
	F.B.RETAINER	229456	WT305-6
9	REVERSE SHAFT	203609	WT215-35B
10	WASHER	240023	240023
11	BEARING	201989	F54970
12	REVERSE IDLER GEAR (20-15T)	228581	WT305-10
13	BEARING	201989	F54970
14	WASHER	240023	240023
15	M/S 1ST GEAR (41T)	228578	WT305-12
16	MAINSHAFT	228289	WT305-2
17	SNAP RING	230706	230706
18	WASHER	228310	228310
19	M/S 2ND GEAR (38T)	228726	WT305-31
21	SLEEVE	228307	WT305-81
22	SNAP RING	230706	230706
23	2/3 SYNCHRONIZER	229230	AWT305-80
	2/3 SYNCHRONIZER	237053	AWT305-80
24	2/3 SYNCHRONIZER CUP	228306	WT305-83
25	M/S 3RD GEAR (35T) 285	238200	WT305-18
	M/S 3RD GEAR (34T) 282	238202	WT305-18A
26	WASHER	228301	228301
27	RETAINER RING	224069	224069
28	M/S 4TH GEAR (28T) 285	238199	WT305-11
	M/S 4TH GEAR (24T) 282	238201	WT305-11A
	M/S 4TH GEAR (21T) 280VO	228346	WT305-11B
29	SLEEVE	228297	WT305-2.5
30	SNAP RING	224031	224031
31	4/5 SYNCHRONIZER CUP	228296	WT305-14
32	4/5 SYNCHRONIZER	229229	AWT305-2.5
	4/5 SYNCHRONIZER	237054	AWT305-2.5
33	4/5 SYNCHRONIZER CUP	228296	WT305-14
34	C/S BEARING CUP	235128	235128
35	GASKET	228287	228287
36	RETAINING RING	224069	224069
37	BEARING	227080	N309L
38	OIL BAFFLE	235419	235419
39	COUNTERSHAFT (32-19-12T)	228580	WT305-3
40	C/S KEY	230292	230292
41	C/S 4TH GEAR (39T) 285	238198	WT305-44
	C/S 4TH GEAR (42T) 282	228314	WT305-44B
42	C/S 5TH GEAR (45T) 282/285	228313	WT305-9
	C/S 5TH GEAR (42T) 280VO	228343	WT305-9A
	C/S 5TH GEAR (46T)	237739	237739
43	SNAP RING	224024	224024
44	BEARING (BCE 2816)	228285	BCE816
N/A	NUT	222960	222960
N/A	SMALL PARTS KIT (K2137)	802112	SP305-50
N/A	GASKET KIT (K2136)	802110	GS305-55
N/A	BEARING KIT (K2127)	K-2127	T148R

# EATON/FULLER<sup>®</sup> TYPE 390 - 551 - 557 - 559 SERIES



# EATON/FULLER® TYPE 390 - 551 - 557 - 559 SERIES

FIGURE	DESCRIPTION	OEM REF#	WORLD AMERICAN™ #
1	SNAP RING	235416	235416
2	WASHER	235415	235415
3	NEEDLE BEARING (14)	235414	235414
4	MAIN DRIVE GEAR (551) (17T)	235353	WT326-16
	MAIN DRIVE GEAR (551) (17T)	235354	WT326-16A
	MAIN DRIVE GEAR (557) (19T)	235432	WT326-16C
	MAIN DRIVE GEAR (551) (17T)	235351	WT326-16D
	MAIN DRIVE GEAR (557) (19T)	235434	235434
	MAIN DRIVE GEAR (551) (17T)	235648	235648
	MAIN DRIVE GEAR (559) (17T)	5951100	5951100
	MAIN DRIVE GEAR (557) (19T)	235649	235649
	MAIN DRIVE GEAR (551) (17T)	235433	WT326-16G
	MAIN DRIVE GEAR (551) (17T)	5951057	5951057
	MAIN DRIVE GEAR (551) (17T)	5951033	5951033
	MAIN DRIVE GEAR (551) (17T)	5951050	5951050
5	BEARING CONE	1314773	M802048
	BEARING CONE	235418	M804049
6	BEARING CUP	1314774	M802011
	BEARING CUP	235417	M804010
7	BEARING	237227	237227
8	SPLIT SNAP RING	235375	235375
9	SPLIT WASHER (2)	235374	235374
10	M/S 1ST GEAR	235363	WT326-12
	M/S 1ST GEAR	235364	WT326-12A
11	NEEDLE BEARING	235376	FC66464
12	SNAP RING	235431	235431
13	NEEDLE BEARING	235376	FC66464
14	SNAP RING	235431	235431
15	SLIDING CLUTCH	235373	WT326-15
16	RETAINING RING	235372	235372
17	2/3 HUB GEAR	235371	WT326-2.5
18	M/S REVERSE GEAR	235365	WT326-36
19	NEEDLE BEARING	239653	F94490
20	SPACER	235377	235377
21	NEEDLE BEARING	239653	F94490
22	SPACER	235377	235377
23	N.BEARING (REPLACE19, 20, 21, 22)	239653	F94490
24	OIL SEAL	235379	235379
25	SPLIT WASHER	235378	235378
26	M/S 2ND GEAR	235366	WT326-31
27	SPACER	235377	235377
28	NEEDLE BEARING	239653	F94490
29	SPACER	235377	235377
30	NEEDLE BEARING	235376	FC66464
31	N.BEARING (REPLACE26, 27, 29, 30)	239653	F94490
32	MAINSHAFT	235359	WT326-2
	MAINSHAFT	239348	WT326-2C
	MAINSHAFT	23696	K2291
	MAINSHAFT	239409	WT326-2E

# EATON/FULLER<sup>®</sup> TYPE 390 - 551 - 557 - 559 SERIES

FIGURE	DESCRIPTION	OEM REF#	WORLD AMERICAN <sup>™</sup> #
33	2/3 SYNCHRONIZER	237053	AWT305-80
	2/3 SYNCHRONIZER	A-5693	AWT305-80
34	2/3 SYNCHRONIZER	228306	WT305-83
35	NEEDLE BEARING	239653	F94490
36	SPACER	235377	235377
37	NEEDLE BEARING	239653	F94490
38	SPACER	235377	235377
40	M/S 3RD GEAR (397) (27T)	235368	WT326-18A
	M/S 3RD GEAR (390) (28T)	235367	WT326-18
	M/S 3RD GEAR (390, 551, 558) (28T)	239352	WT326-18B
	M/S 3RD GEAR (397, 557) (27T)	239346	WT326-18C
41	WASHER	239349	239349
42	RETAINING RING	224069	224069
43	BEARING	239651	F94488
44	M/S 4TH GEAR (390) (23T)	235369	WT326-11
	M/S 4TH GEAR (397) (19T)	235370	WT326-11A
	M/S 4TH GEAR (390, 551, 558) (23T)	239353	WT326-11B
	M/S 4TH GEAR (397, 557) (19T)	239347	WT326-11C
45	CLUTCH HUB 4/5	239350	WT326-2.5A
	CLUTCH HUB 4/5	23694	23694
46	4/5 SYNCHRONIZER CUP	228296	WT305-14
47	4/5 SYNCHRONIZER	5951125	5951125
	4/5 SYNCHRONIZER	A-5401	AWT305-2.5
48	4/5 SYNCHRONIZER CUP	228296	WT305-14
49	BEARING	235382	FA35688
50	BEARING RACE	235383	TR235383
51	SNAP RING	224069	224069
52	C/S BEARING SNAP RING	226331	226331
53	BEARING CONE	235411	MU1309UGM
54	OIL SLINGER	235419	235419
55	COUNTERSHAFT	235384	WT326-3
	COUNTERSHAFT	235386	WT326-3A
	COUNTERSHAFT	5951092	5951092
56	KEY	230292	230292
57	C/S 4TH GEAR (390, 551, 558) (33T)	235390	WT326-44
	C/S 4TH GEAR (397, 557) (30T)	235391	WT326-44A
58	C/S 5TH GEAR (390, 551) (37T)	235388	WT326-9
	C/S 5TH GEAR (397, 557, 558) (35T)	235389	WT326-9A
	C/S 5TH GEAR (559) (37T)	5951095	5951095
59	SNAP RING	224024	224024
60	BEARING CONE	235402	FC65489
61	IDLER SHAFT	203609	WT215-35B
62	WASHER	228316	228316
63	SPACER	235413	235413
64	NEEDLE BEARING	235412	QA47838
65	IDLER GEAR	235392	WT326-10
66	SPACER	235413	235413
67	NEEDLE BEARING	235412	QA47838
68	SPACER	235413	235413
69	WASHER	228316	228316

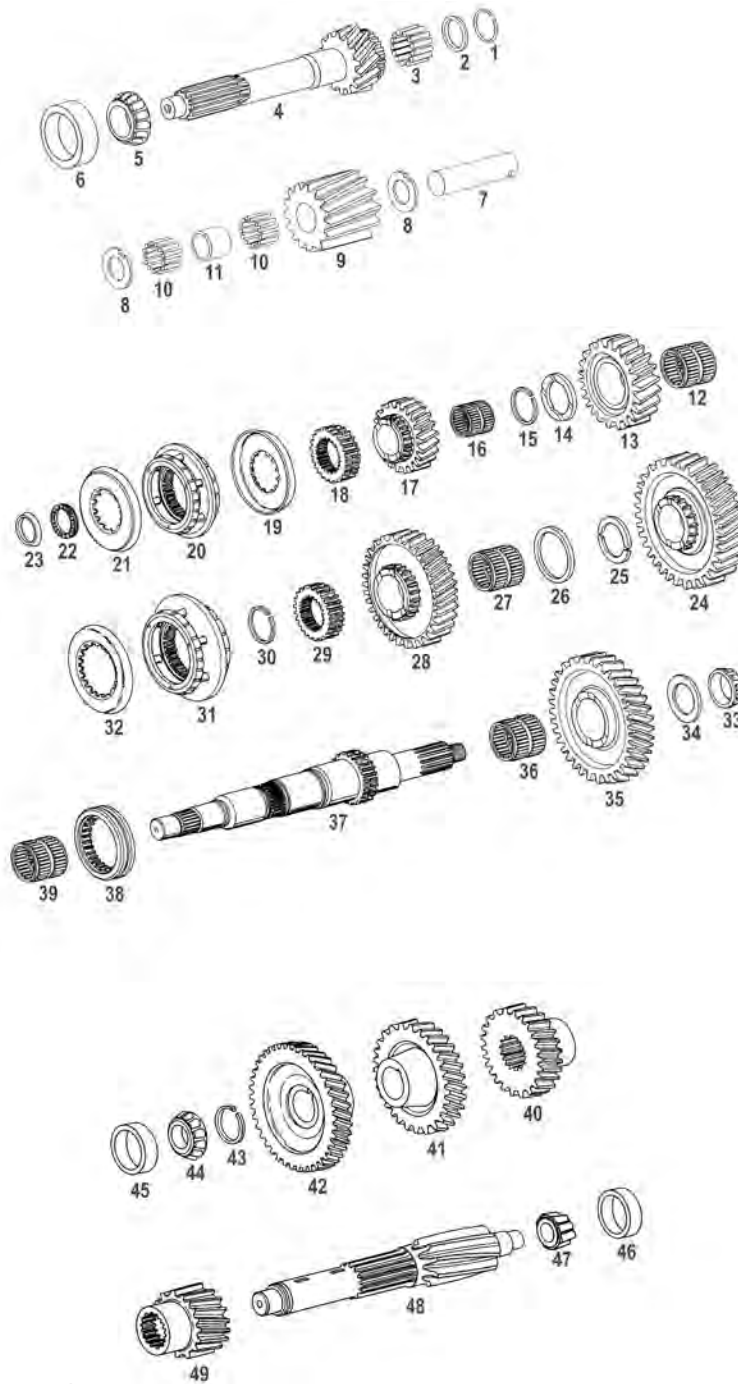


# EATON/FULLER<sup>®</sup> TYPE 390 - 551 - 557 - 559 SERIES

FIGURE	DESCRIPTION	OEM REF#	WORLD AMERICAN™ #
N/A	STEEL BALL	10J06	10J06
N/A	SMALL PARTS KIT (2670511)	802118	802118
N/A	GASKET KIT (2670510)	802116	802116
N/A	BEARING KIT	K2124	T390FR



# EATON/FULLER® TYPE 450-FS4005



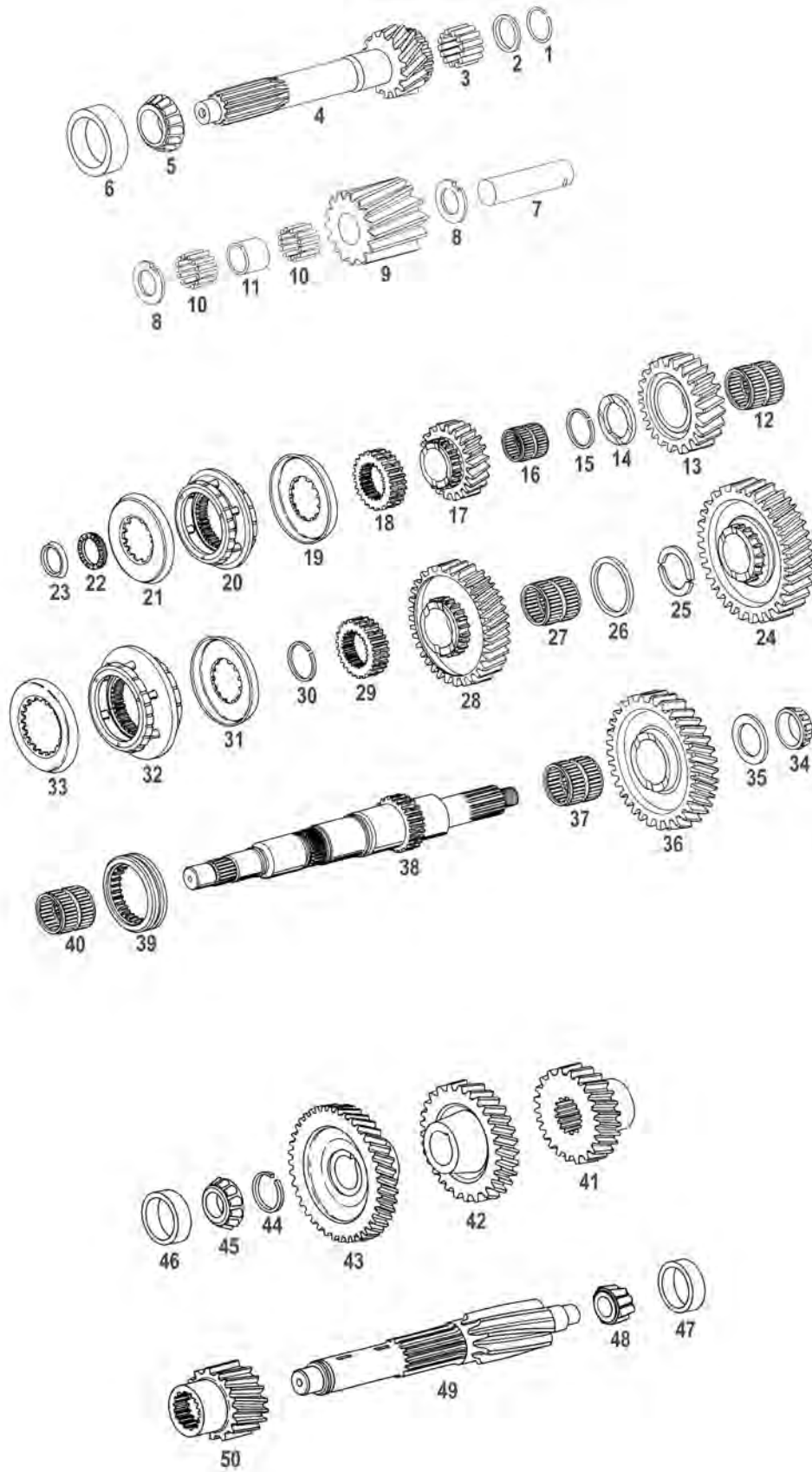
# EATON/FULLER® TYPE 450-FS4005

FIGURE	DESCRIPTION	OEM REF#	WORLD AMERICAN™ #
1	SNAP RING	235416	235416
2	WASHER	235415	235415
3	NEEDLE BEARING (14)	235414	235414
4	MAIN DRIVE GEAR (455, 457, 4005B, C)	239808	239808
	MAIN DRIVE GEAR (455, 457, 4005B, C)	239807	239807G
	MAIN DRIVE GEAR (450)	3315857	3315857
	MAIN DRIVE GEAR (4005A)	239803	239803
	MAIN DRIVE GEAR (4005A)	23056	23056
	MAIN DRIVE GEAR (455, 457, 4005B, C)	3315536	3315536
	MAIN DRIVE GEAR (455, 457, 4005B, C)	239809	239809
5	BEARING CONE	1314773	M802048
	BEARING CONE	235418	M804049

# EATON/FULLER® TYPE 450-FS4005

FIGURE	DESCRIPTION	OEM REF#	WORLD AMERICAN™ #
6	BEARING CUP	1314774	M802011
	BEARING CUP	235417	M804010
7	IDLER SHAFT	240022	240022
8	WASHER (2)	240023	240023
9	IDLER GEAR	239799	4301592
10	NEEDLE BEARING (52) (2)	235376	FC66464
11	SPACER	240024	240024
12	BEARING	239818	F84003
13	M/S 3RD GEAR (450)	239792	239792
	M/S 3RD GEAR (450, 4005)	21546	21546
14	WASHER	23127	23127
15	SNAP RING	224069	224069
16	OIL SEAL	235379	235379
	BEARING	239651	F94488
17	M/S 4TH GEAR (450, 455)	239793	239793
	M/S 4TH GEAR (457, 4005)	239815	239815
	M/S 4TH GEAR (4005)	22079	22079
18	CLUTCH HUB 4/5	239350	WT326-2.5A
	CLUTCH HUB 4/5	23694	23694
19	4/5 SYNCHRONIZER CUP	228296	WT305-14
20	4/5 SYNCHRONIZER	229229	AWT305-2.5
	4/5 SYNCHRONIZER	A-5401	AWT305-2.5B
21	4/5 SYNCHRONIZER CUP	228296	WT305-14
22	BEARING	235382	FA35688
23	BEARING RACE	235383	TR235383
24	M/S 1ST GEAR	239787	239787
25	SPLIT WASHER (2)	235378	235378
27	BEARING	239653	F94490
28	M/S 2ND GEAR (450)	239790	239790
	M/S 2ND GEAR (450, 4005)	21545	21545
29	CLUTCH HUB 2/3 (450)	239791	239791
	CLUTCH HUB 2/3 (450, 4005)	21547	21547
30	SNAP RING	240037	240037
31	2/3 SYNCHRONIZER	229230	AWT305-80
	2/3 SYNCHRONIZER	A-5693	AWT305-80
32	2/3 SYNCHRONIZER CUP	228306	WT305-83
33	BEARING CONE	654137	25581
34	WASHER	240026	240026
35	M/S REVERSE GEAR	239789	239789
36	BEARING	239818	F84003
37	MAINSHAFT (23695)	239785	239785
38	SLIDING CLUTCH	239832	239832
39	BEARING	239653	F94490
40	C/S 3RD GEAR	241016	241016
41	C/S 4TH GEAR (450, 455)	241014	241014
	C/S 4TH GEAR (457, 4005C)	241015	241015
	C/S 4TH GEAR (A, B)	22080	22080
42	C/S 5TH GEAR (455, 457, 4005B, C)	241013	241013
	C/S 5TH GEAR (450, 4005A)	241012	241012
43	SNAP RING	240767	240767
44	BEARING CONE	675246	675246
45	BEARING CUP	672070	672070
46	BEARING CUP	730362	730362
47	BEARING CONE	666554	666554
48	COUNTERSHAFT	241018	241018
49	C/S 2ND GEAR	241017	241017
N.A	KEY (2)	230292	230292
N/A	FRONT BEARING RETAINER	239821	239821
N/A	FRONT BEARING RETAINER	4300882	4300882R
N/A	SMALL PARTS KIT	802135	K2144
N/A	SMALL PARTS KIT (K-2144)	802135	SP450-50
N/A	GASKET KIT (K-2143)	802132	K2143
N/A	BEARING REPAIR KIT (K2120)	802134	T208R
N/A	BEARING REPAIR KIT (K2129)	802134A	T208DR

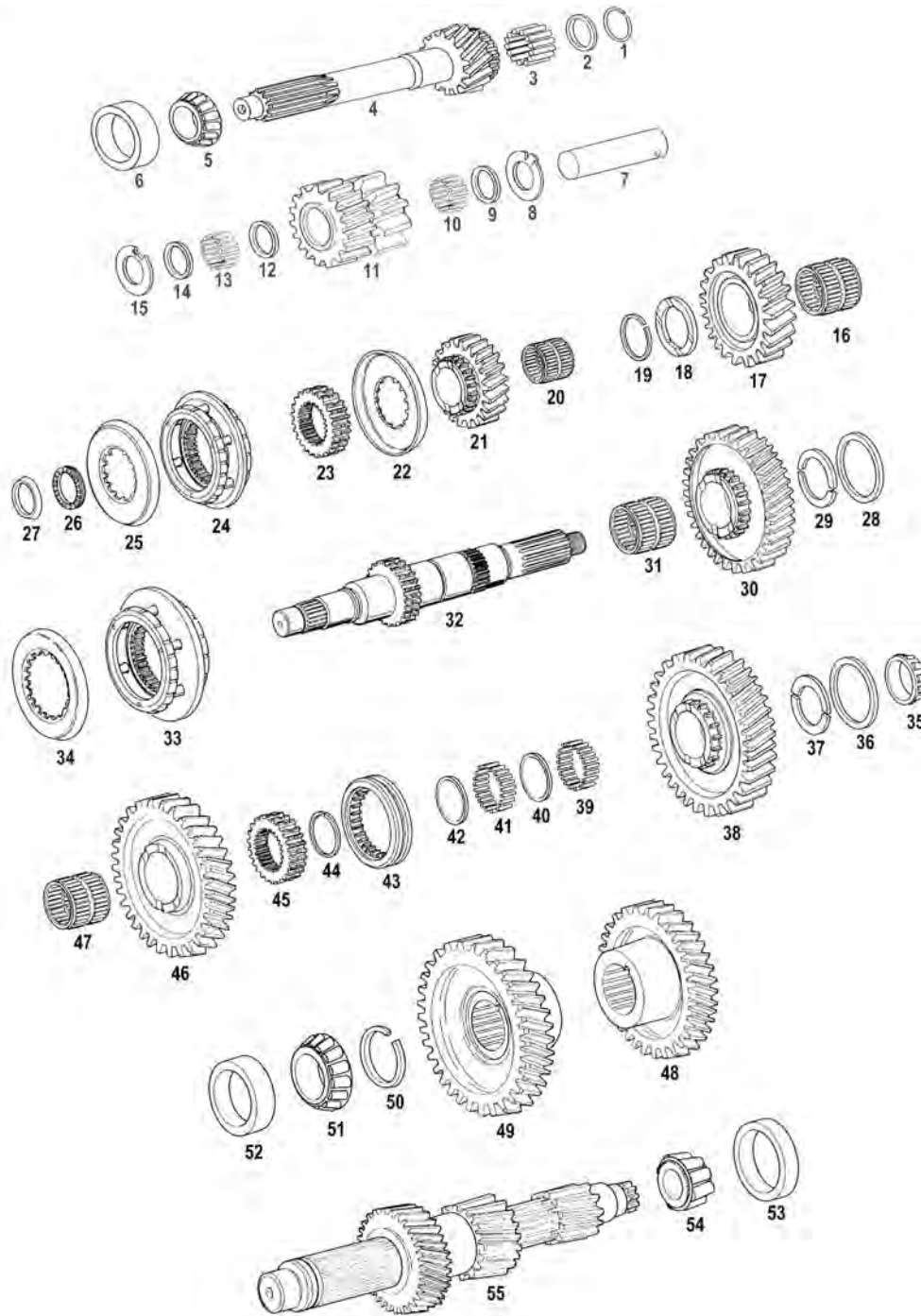
# EATON/FULLER® TYPE FS4205 SERIES



# EATON/FULLER<sup>®</sup> TYPE FS4205 SERIES

FIGURE	DESCRIPTION	OEM REF#	WORLD AMERICAN™ #
1	SNAP RING	235416	235416
2	WASHER	235415	235415
3	NEEDLE BEARING (14)	235414	235414
4	MAIN DRIVE GEAR (A) 1 3/4"	4301614	4301614
	MAIN DRIVE GEAR (A) 1 1/2"	4301526	4301526
	MAIN DRIVE GEAR (B, C) 1 3/4"	4301625	4301625
	MAIN DRIVE GEAR (B, C) 1 1/2"	4301626	4301626
5	BEARING CONE 1 1/2"	1314773	M802048
	BEARING CONE 1 3/4"	235418	M804049
6	BEARING CUP 1 1/2"	1314774	M802011
	BEARING CUP 1 3/4"	235417	M804010
7	IDLER SHAFT	240022	240022
8	WASHER (2)	240023	240023
9	IDLER GEAR (A, B)	4301592	239799
	IDLER GEAR (C)	239799	4301592
10	NEEDLE BEARING (52)	235376	FC66464
11	SPACER	240024	240024
12	BEARING (B, C)	239818	F84003
13	M/S 3RD GEAR	4301528	4301528
14	WASHER	23127	23127
15	SNAP RING	224069	224069
16	BEARING	239651	F94488
17	M/S 4TH GEAR (A, B)	4301527	4301527
	M/S 4TH GEAR (C)	4301612	4301612
	REPLACE BY M/S 4TH GEAR (A, B)	4303796	4303796
18	CLUTCH HUB 4/5	4301534	4303689
	REPLACE BY CLUTCH HUB 4/5	4303689	4301534
19	4/5 SYNCHRONIZER CUP (A, B)	4301565	4301565
20	4/5 SYNCHRONIZER	A-6144	A6144
21	4/5 SYNCHRONIZER CUP (A, B)	4301565	4301565
22	BEARING	235382	FA35688
23	BEARING RACE	235383	TR235383
24	M/S 1ST GEAR	4301530	4301530
25	SPLIT WASHER (2)	235378	235378
26	OIL SEAL	235379	235379
27	BEARING	239653	F94490
28	M/S 2ND GEAR	4301529	4301529
29	CLUTCH HUB 2/3	4301533	4301533
30	SNAP RING	240037	240037
31	2/3 SYNCHRONIZER CUP (2)	4301467	4301467
32	2/3 SYNCHRONIZER	A-6137	A6137
33	2/3 SYNCHRONIZER CUP (2)	4301467	4301467
34	BEARING CONE	654137	654137
35	WASHER	240026	240026
36	M/S REVERSE GEAR	4301531	4301531
37	BEARING (B, C)	239818	F84003
38	MAINSHAFT	4301532	4301532
39	SLIDING CLUTCH	4301566	4301566
40	BEARING	239653	F94490
41	C/S 3RD GEAR	4301536	4301536
42	C/S 4TH GEAR (A, B)	4301535	4301535
	C/S 4TH GEAR (C)	4301613	4301613
43	C/S 5TH GEAR (B, C)	241013	241013
	C/S 5TH GEAR (A)	241012	241012
44	SNAP RING	240767	240767
45	BEARING CONE	675246	675246
46	BEARING CUP	672070	672070
47	BEARING CUP	730362	730362
48	BEARING CONE	666554	666554
49	COUNTERSHAFT	4301537	4301537
50	C/S 2ND GEAR	241017	241017
N/A	STEEL BALL (2)	10J06	10J06
N/A	KEY (2)	230292	230292
N/A	SMALL PARTS KIT	K-2144	SP450-50
N/A	GASKET KIT	K-2143	K2143
N/A	BEARING REPAIR KIT 1 1/2"	K-2120	T208R
N/A	BEARING REPAIR KIT 1 3/4"	K-2129	T208DR

# EATON/FULLER® TYPE FS5005 SERIES



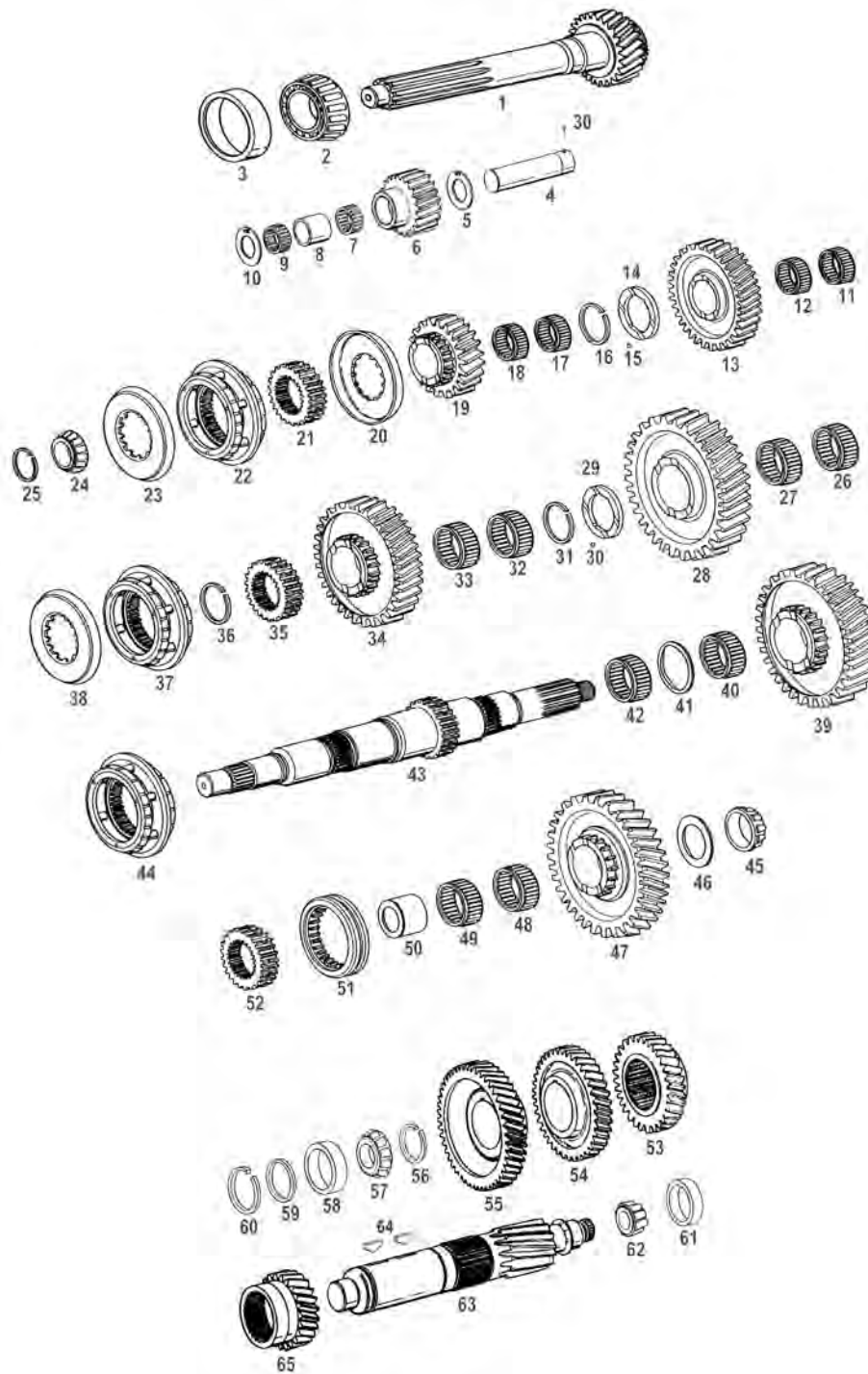
# EATON/FULLER® TYPE FS5005 SERIES

FIGURE	DESCRIPTION	OEM REF#	WORLD AMERICAN™ #
1	SNAP RING	235416	235416
2	WASHER (A, B)	235415	235415
3	NEEDLE BEARING	235414	235414
4	MAIN DRIVE GEAR (A)	235353	WT326-16
	MAIN DRIVE GEAR (A)	235354	WT326-16A
	MAIN DRIVE GEAR (B, C)	235432	WT326-16C
	MAIN DRIVE GEAR (A)	235351	WT326-16D
	MAIN DRIVE GEAR (A)	235648	235648
	MAIN DRIVE GEAR (B, C)	235649	235649
	MAIN DRIVE GEAR (A)	235433	WT326-16G

# EATON/FULLER® TYPE FS5005 SERIES

FIGURE	DESCRIPTION	OEM REF#	WORLD AMERICAN™ #
5	BEARING CONE	1314773	M802048
	BEARING CONE	235418	M804049
6	BEARING CUP	1314774	M802011
	BEARING CUP	235417	M804010
7	BEARING CUP	203609	WT215-35B
8	WASHER	240023	240023
9	SPACER	235413	235413
10	NEEDLE BEARING	235412	QA47838
11	IDLER GEAR	235392	WT326-10
12	SPACER	235413	235413
13	NEEDLE BEARING	235412	QA47838
14	SPACER	235413	235413
15	WASHER	240023	240023
16	BEARING	239653	F94490
17	M/S 3RD GEAR	239352	WT326-18B
	M/S 3RD GEAR	239346	WT326-18C
18	WASHER	23127	23127
19	RETAINING RING	224069	224069
20	BEARING	239651	F94488
21	M/S 4TH GEAR	239353	WT326-11B
	M/S 4TH GEAR	239347	WT326-11C
22	CLUTCH HUB 4/5	239350	WT326-2.5A
	CLUTCH HUB 4/5	23694	23694
23	4/5 SYNCHRONIZER CUP	228296	WT305-14
24	4/5 SYNCHRONIZER	237054	AWT305-2.5
	4/5 SYNCHRONIZER	A-5401	AWT305-2.5
25	4/5 SYNCHRONIZER CUP	228296	WT305-14
26	BEARING	235382	FA35688
27	BEARING RACE	235383	TR235383
28	OIL SEAL	235379	235379
29	SPLIT WASHER (2)	235378	235378
30	M/S 2ND GEAR	235366	WT326-31
31	BEARING	239653	F94490
32	MAINSHAFT	23696	K2291
33	2/3 SYNCHRONIZER	237053	AWT305-80
	2/3 SYNCHRONIZER	A-5693	AWT305-80
34	2/3 SYNCHRONIZER CUP	228306	WT305-83
35	CONE	237227	237227
36	OIL SEAL	235375	235375
37	SPLIT WASHER (2)	235374	235374
38	M/S 1ST GEAR	235363	WT326-12
	BEARING CONE	235364	WT326-12A
39	BEARING	235376	FC66464
40	SNAP RING	235431	235431
41	BEARING	235376	FC66464
42	SNAP RING	235431	235431
43	SLIDING CLUTCH	235373	WT326-15
44	RETAINING RING	235372	235372
45	CLUTCH HUB 1ST/REV.	235371	WT326-2.5
46	M/S REVERSE GEAR	235365	WT326-36
47	BEARING	239653	F94490
48	C/S 4TH GEAR (A, B)	4301183	4301183
	C/S 4TH GEAR (C)	4301184	4301184
49	C/S 5TH GEAR (A)	4301181	4301181
	C/S 5TH GEAR (B, C)	4301182	4301182
50	SNAP RING	224024	224024
51	BEARING CONE	791943	25590
52	BEARING CUP	654166	654166
53	BEARING CUP	654166	654166
54	BEARING CONE	791943	25590
55	COUNTERSHAFT (A)	4301185	4301185
	COUNTERSHAFT (C)	4301187	4301187
N/A	STEEL BALL (2)	10J06	10J06
N/A	SMALL PARTS KIT (K2132)	K-2132	K2132
N/A	GASKET KIT	K2085	GS326-55
N/A	BEARING REPAIR KIT	K2122	T395GR
N/A	BEARING REPAIR KIT	K2123	T395HR

# EATON/FULLER<sup>®</sup> TYPE FS5106, FS6206



# EATON/FULLER<sup>®</sup> TYPE FS5106, FS6206

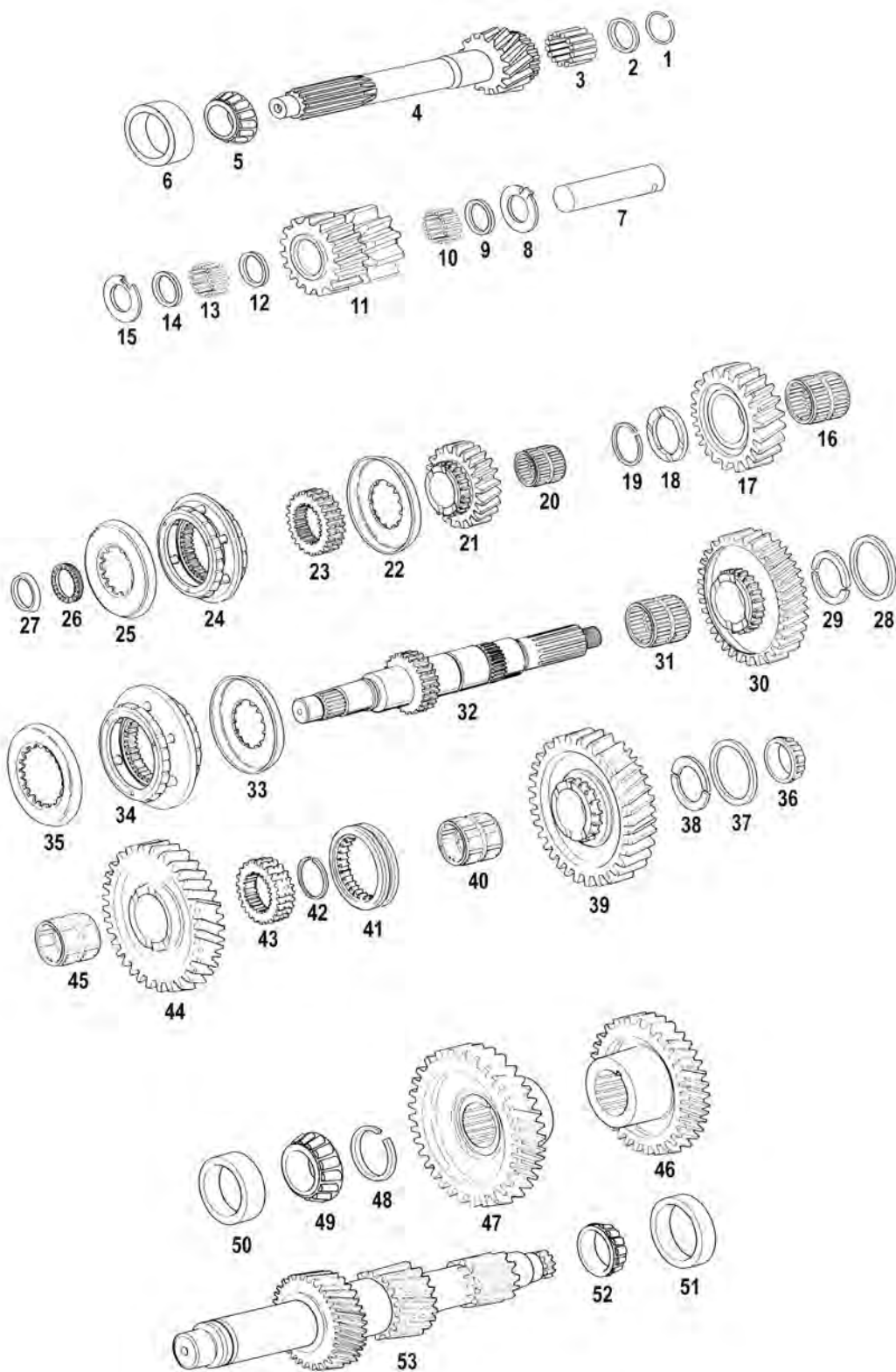
FIGURE	DESCRIPTION	OEM REF#	WORLD AMERICAN <sup>™</sup> #
1	MAIN DRIVE GEAR	21898	21898
	MAIN DRIVE GEAR	3316257	3316257
2	BEARING CONE	742259	39590
3	BEARING CUP	675250	39520
4	IDLER SHAFT REV.	3315672	3315672
5	WASHER	3315673	3315673
6	REVERSE IDLER GEAR	3315753	3315753
7	BEARING	3315674	K40X48X20



# EATON/FULLER<sup>®</sup> TYPE FS5106, FS6206

FIGURE	DESCRIPTION	OEM REF#	WORLD AMERICAN™ #
8	SPACER	3315676	3315676
9	BEARING	3315674	K40X48X20
10	WASHER	3315673	3315673
11	BEARING	4124075	K55X60X20
12	BEARING	4124075	K55X60X20
13	M/S 4TH GEAR	3315715	3315715
14	WASHER	3315727	3315727
15	STEEL BALL	T10J-06	T10J06
16	SNAP RING	3315728	3315728
17	BEARING	3315737	K50X55X20
18	BEARING	3315737	K50X55X20
19	M/S 5TH GEAR	3315720	3315720
20	SYNCHRO CUP	228306	WT305-83
21	CLUTCH GEAR 5TH & 6TH	3315738	3315738
22	SYNCHRONIZER 5TH & 6TH	A-5693	AWT305-80
23	SYNCHRO CUP	228306	WT305-83
24	BEARING	710787	31594
25	SNAP RING	3315798	3315798
26	BEARING	3315703	K70X76X20A
27	BEARING	3315703	K70X76X20A
28	M/S 2ND GEAR	3315705	3315705
29	WASHER	3315719	3315719
30	STEEL BALL	T10J-06	T10J06
31	SNAP RING	3315717	3315717
32	BEARING	3315722	K65X70X20
33	BEARING	3315722	K65X70X20
34	M/S 3RD GEAR	22075	22075
35	CLUTCH HUB	3315723	3315723
36	SNAP RING	3315725	3315725
37	3/4TH SYNCHRONIZER - 6206	A-5725	A5725
	3/4TH SYNCHRONIZER - 5106	A-5692	A5692
38	SYNCHRO CUP	3315730	3315730
39	M/S 1ST GEAR	3315700	3315700
40	BEARING	3315703	K70X76X20A
41	SPACER	3315702	3315702
42	BEARING	3315703	K70X76X20A
43	MAINSHAFT	23301	23301
44	2/3RD SYNCHRONIZER	A-5721	A5721
45	BEARING CONE	5202047	5202047
46	WASHER	3315704	3315704
47	M/S REVERSE GEAR	3315692	3315692
48	BEARING	3315703	K70X76X20A
49	BEARING	3315703	K70X76X20A
50	BUSHING	3315698	3315698
51	SLIDING CLUTCH	3315694	3315694
52	CLUTCH HUB REV	3315696	3315696
53	C/S 4TH GEAR	3315747	3315747
54	C/S 5TH GEAR	3315745	3315745
55	C/S DRIVE GEAR	3315743	3315743
56	SNAP RING	3315751	3315751
57	BEARING CONE	791943	25590
58	BEARING CUP	1313645	25522
59	WASHER	3315687	3315687
60	SNAP RING	3315686	3315686
61	BEARING CUP	660181	3720
62	BEARING CONE	658981	3782
63	COUNTERSHAFT	3315740	3315740
64	C/S KEY	230292	230292
65	C/S 3RD GEAR	22076	22076
N/A	SMALL PART KIT	K2012	K2012
N/A	GASKET KIT	K2181	K2181
N/A	BEARING KIT	K2041	K2041

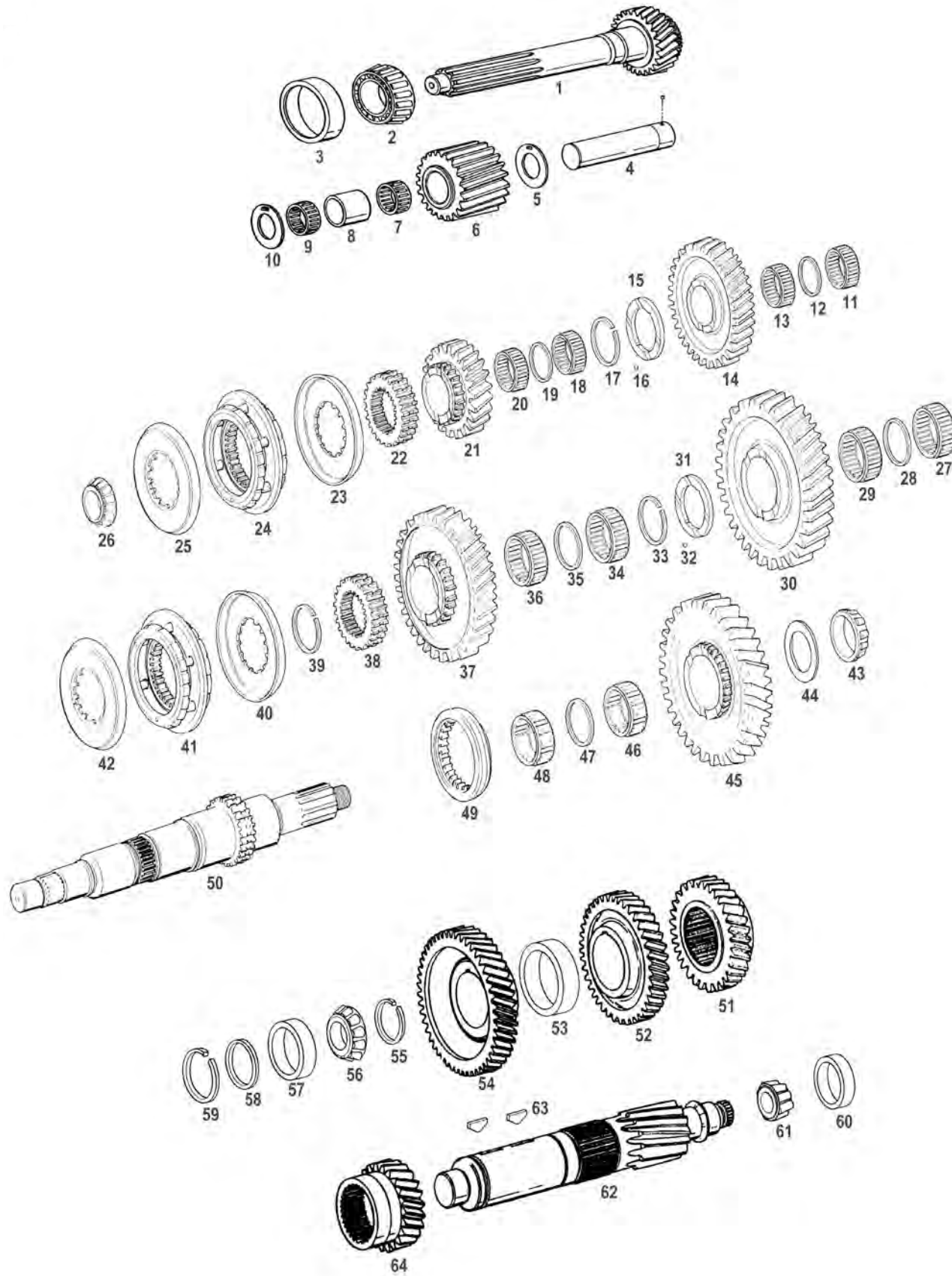
# EATON/FULLER<sup>®</sup> TYPE FS5205 SERIES



# EATON/FULLER® TYPE FS5205 SERIES

FIGURE	DESCRIPTION	OEM REF#	WORLD AMERICAN™ #
1	SNAP RING	235416	235416
2	WASHER	235415	235415
3	NEEDLE BEARING (14)	235414	235414
4	MAIN DRIVE GEAR (A)	4301825	4301825
5	BEARING CONE	1314773	M802048
	BEARING CONE	235418	M804049
6	BEARING CUP	1314774	M802011
	BEARING CUP	235417	M804010
7	IDLER SHAFT	203609	WT215-35B
8	WASHER	240023	240023
9	SPACER	235413	235413
10	NEEDLE BEARING	235412	QA47838
11	IDLER GEAR	235392	WT2326-10
12	SPACER	235413	235413
13	NEEDLE BEARING	235412	QA47838
14	SPACER	235413	235413
15	WASHER	240023	240023
16	BEARING (A, B)	239653	F94490
17	M/S 3RD GEAR (A, B)	4301686	4301686
	M/S 3RD GEAR (C)	4301776	4301776
18	WASHER	23017	23017
19	RETAINING RING	224069	224069
20	BEARING	239651	F94488
21	M/S 4TH GEAR (A, B)	4301685	K3303
	REPLACE BY M/S 4TH GEAR (K3303)	4303904	4303904
	M/S 4TH GEAR (C)	4301774	4301774
	REPLACE BY M/S 4TH GEAR	4303905	4303905
	*K3303 = TC5205-11M (4303689/4303904)		
22	4/5 SYNCHRONIZER CUP	4301565	4301565
23	CLUTCH HUB 4/5	4301534	4303689
	REPLACE BY CLUTCH HUB 4/5	4303689	4301534
24	4/5 SYNCHRONIZER	A-6144	A6144
25	4/5 SYNCHRONIZER CUP	4301565	4301565
26	BEARING (FA35688)	235382	FA35688
27	BEARING RACE	235383	TR235383
28	OIL SEAL	235379	235379
29	SPLIT WASHER (2)	235378	235378
30	M/S 2ND GEAR	4301687	4301687
31	BEARING (A, B)	239653	F94490
32	MAINSHAFT	4301684	4301684
33	2/3 SYNCHRONIZER CUP	4301467	4301467
34	2/3 SYNCHRONIZER	A-6137	A6137
35	2/3 SYNCHRONIZER CUP	4301467	4301467
36	BEARING CONE	237337	237337
37	SNAP RING	235372	235372
38	WASHER	235372	235372
39	M/S 1ST GEAR	4301788	4301788
40	BEARING	239818	F84003
	BEARING CONE	791943	25590
41	SLIDING CLUTCH	4301712	4301712
42	SNAP RING	235372	235372
43	HUB GEAR 1ST/REV	4301706	4301706
44	M/S REVERSE GEAR	4301689	4301689
45	BEARING (A, B)	239653	F94490
46	C/S 4TH GEAR (A, B)	4301691	4301691
	C/S 4TH GEAR (C)	4301775	4301775
47	C/S 5TH GEAR (A, B)	4301181	4301181
	C/S 5TH GEAR (B, C)	4301182	4301182
48	SNAP RING	224024	224024
49	BEARING CONE	791943	25590
50	BEARING CUP	654166	654166
51	BEARING CUP	654166	654166
52	BEARING CONE	791943	25590
53	COUNTERSHAFT (A)	4301185	4301185
	COUNTERSHAFT (C)	4301187	4301187
N/A	BEARING REPAIR KIT	K-7032	K7032
N/A	BEARING REPAIR KIT	K-7034	K7034
N/A	STEEL BALL (2)	10J06	10J06
N/A	SMALL PARTS KIT	K-7031	K7031
N/A	GASKET KIT	K-2143	K2143

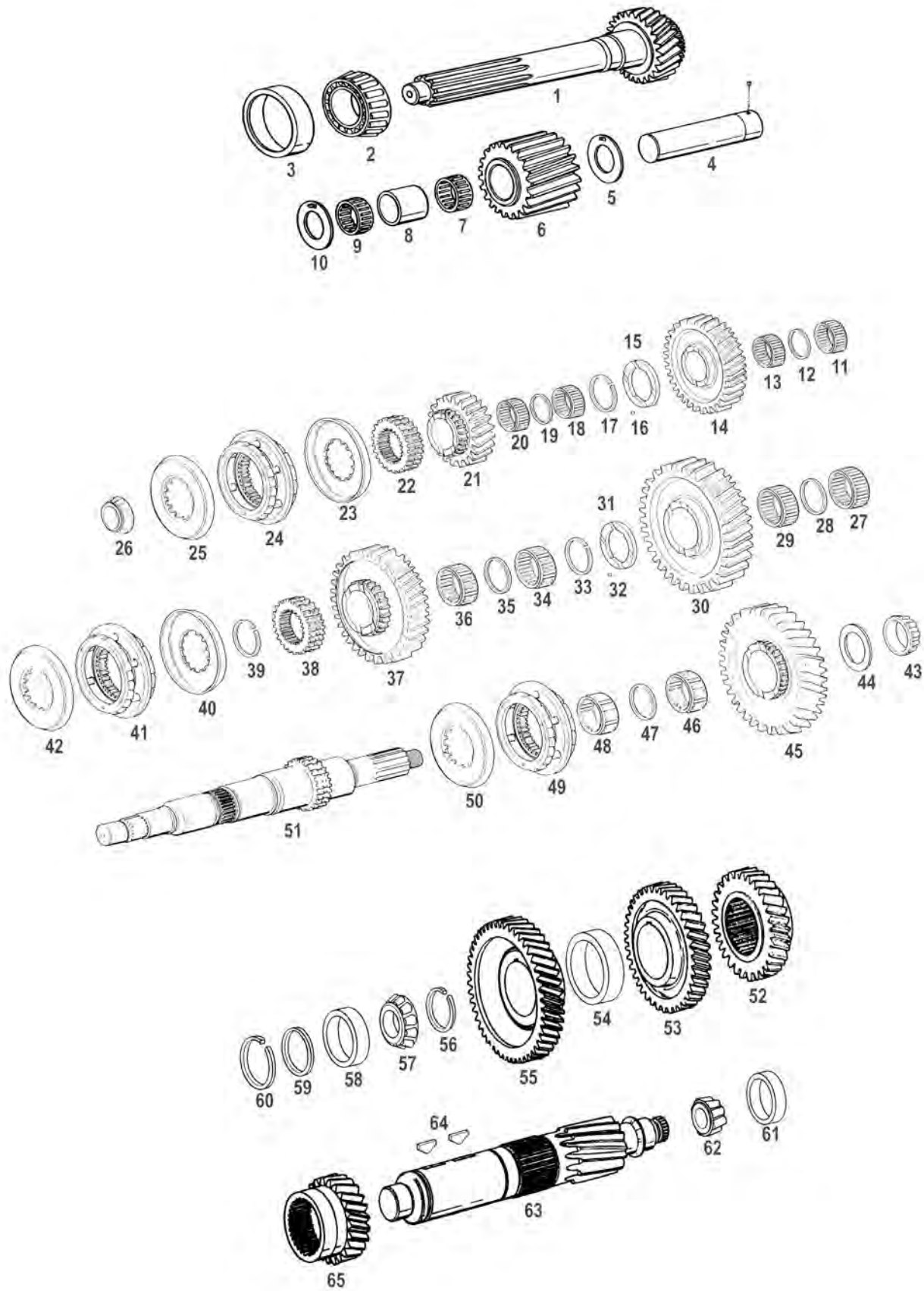
# EATON/FULLER<sup>®</sup> TYPE FS6205 SERIES



# EATON/FULLER<sup>®</sup> TYPE FS6205 SERIES

FIGURE	DESCRIPTION	OEM REF#	WORLD AMERICAN™ #
1	MAIN DRIVE GEAR (1.75")	4301750	4301750
	MAIN DRIVE GEAR (1.75")	4301748	4301748
2	BEARING CONE	742259	39590
3	BEARING CUP	675250	39520
4	REVERSE IDLER GEAR	3315672	3315672
5	WASHER	3315673	3315673
6	REVERSE IDLER GEAR	3316163	3316163
7	BEARING	3315674	K40X48X20
8	SPACER	3315676	3315676
9	BEARING	3315674	K40X48X20
10	WASHER	3315673	3315673
11	BEARING	4124075	K55X60X20
12	SPACER	21740	21740
13	BEARING	4124075	K55X60X20
14	M/S 3RD GEAR	4301761	4301761
15	WASHER	3315727	3315727
16	STEEL BALL	10J06	10J06
17	SNAP RING	3315728	3315728
18	BEARING	3315737	K50X55X20
19	SPACER	21741	21741
20	BEARING	3315737	K50X55X20
21	M/S 4TH GEAR (A)	4301759	4301759
	M/S 4TH GEAR (B)	4301760	4301760
22	4/5 CLUTCH HUB	4301766	4301766
23	4/5 SYNCHRONIZER CUP (2)	4301467	4301467
24	4/5 SYNCHRONIZER	A-6137	A6137
25	4/5 SYNCHRONIZER CUP (2)	4301467	4301467
26	BEARING CONE	710787	31594
27	BEARING	3315703	K70X76X20A
28	SPACER	21738	21738
29	BEARING	3315703	K70X76X20A
30	M/S 1ST GEAR	4301763	4301763
31	WASHER	3315719	3315719
32	STEEL BALL	10J06	10J06
33	SNAP RING	3315717	3315717
34	BEARING	3315722	K65X70X20
35	SPACER	21739	21739
36	BEARING	3315722	K65X70X20
37	M/S 2ND GEAR	4301762	4301762
38	2/3 HUB GEAR	4301765	4301765
39	SNAP RING	3315725	3315725
40	2/3 SYNCHRONIZER CUP	4301466	4301466
41	2/3 SYNCHRONIZER	A-6156	A6156
42	2/3 SYNCHRONIZER CUP	4301466	4301466
43	BEARING CONE	5557003	5557003
44	WASHER	3315704	3315704
45	M/S REVERSE GEAR	4301764	4301764
46	BEARING	3315703	K70X76X20A
47	SPACER	21738	21738
48	BEARING	3315703	K70X76X20A
49	1ST/REV SLIDING CLUTCH (6205)	4301852	4301852
50	MAINSHAFT	4301758	4301758
51	C/S 3RD GEAR (A, B)	3316200	3316200
52	C/S 4TH GEAR (A)	3316198	3316198
53	SPACER	3316251	3316251
54	C/S 5TH GEAR (A, B)	3316196	3316196
55	SNAP RING	3315751	3315751
56	BEARING CONE	791943	25590
57	BEARING CUP	1313645	25522
58	WASHER	3315687	3315687
59	SNAP RING	3315686	3315686
60	BEARING CONE	658981	3782
61	BEARING CUP	660181	3720
62	COUNTERSHAFT	3316194	3316194
63	KEY (2)	230292	230292
64	C/S 2ND GEAR (A, B)	3316202	3316202
N/A	SMALL PARTS KIT	K-7026	K7026
N/A	GASKET KIT	K-7028	K7028
N/A	BEARING REPAIR KIT	K-7035	K7035

# EATON/FULLER<sup>®</sup> TYPE FS6305 SERIES

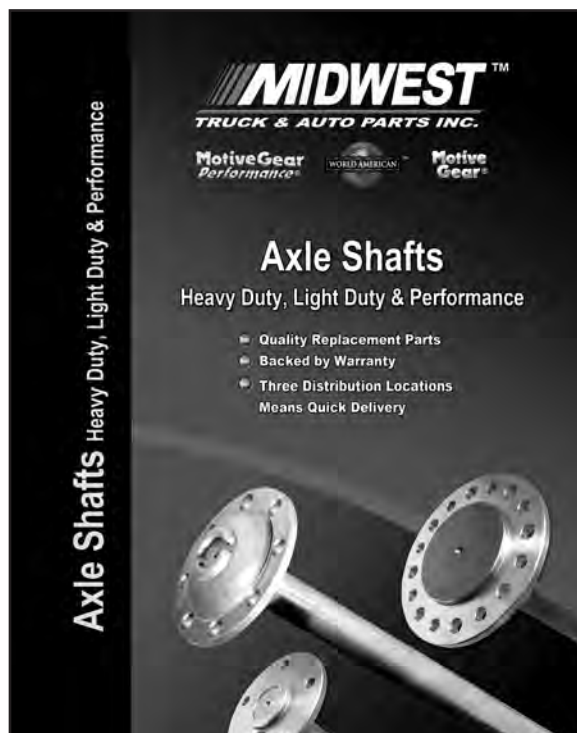


# EATON/FULLER<sup>®</sup> TYPE FS6305 SERIES

FIGURE	DESCRIPTION	OEM REF#	WORLD AMERICAN™ #
1	MAIN DRIVE GEAR (1.75")	4301750	4301750
	MAIN DRIVE GEAR (1.75")	4301748	4301748
2	BEARING CONE	742259	39590
3	BEARING CUP	675250	39520
4	REVERSE IDLER GEAR	3315672	3315672
5	WASHER	3315673	3315673
6	REVERSE IDLER GEAR	3316163	3316163
7	BEARING	3315674	K40X48X20
8	SPACER	3315676	3315676
9	BEARING	3315674	K40X48X20
10	WASHER	3315673	3315673
11	BEARING	4124075	K55X60X20
12	SPACER	21740	21740
13	BEARING	4124075	K55X60X20
14	M/S 3RD GEAR	4301761	4301761
15	WASHER	3315727	3315727
16	STEEL BALL	10J06	10J06
17	SNAP RING	3315728	3315728
18	BEARING	3315737	K50X55X20
19	SPACER	21741	21741
20	BEARING	3315737	K50X55X20
21	M/S 4TH GEAR (A)	4301759	4301759
	M/S 4TH GEAR (B)	4301760	4301760
22	4/5 CLUTCH HUB	4301766	4301766
23	4/5 SYNCHRONIZER CUP	4301467	4301467
24	4/5 SYNCHRONIZER	A-6137	A6137
25	4/5 SYNCHRONIZER CUP	4301467	4301467
26	BEARING CONE	710787	31594
27	BEARING	3315703	K70X76X20A
28	SPACER	21738	21738
29	BEARING	3315703	K70X76X20A
30	M/S 1ST GEAR	4301763	4301763
31	WASHER	3315719	3315719
32	STEEL BALL	10J06	10J06
33	SNAP RING	3315717	3315717
34	BEARING	3315722	K65X70X20
35	SPACER	21739	21739
36	BEARING	3315722	K65X70X20
37	M/S 2ND GEAR	4301762	4301762
38	2/3 HUB GEAR	4301765	4301765
39	SNAP RING	3315725	3315725
40	2/3 SYNCHRONIZER CUP	4301466	4301466
41	2/3 SYNCHRONIZER	A-6156	A6156
42	2/3 SYNCHRONIZER CUP	4301466	4301466
43	BEARING CONE	5557003	5557003
44	WASHER	3315704	3315704
45	M/S REVERSE GEAR	4301764	4301764
46	BEARING	3315703	K70X76X20A
47	SPACER	21738	21738
48	BEARING	3315703	K70X76X20A
49	1ST/REV SYNCHRONIZER	A-6154	A6154
50	1ST/REV SYNCHRONIZER CUP	4301465	4301465
51	MAINSHAFT	4301758	4301758

# EATON/FULLER® TYPE FS6305 SERIES

FIGURE	DESCRIPTION	OEM REF#	WORLD AMERICAN™ #
52	C/S 3RD GEAR (A, B)	3316200	3316200
53	C/S 4TH GEAR (A)	3316198	3316198
54	SPACER	3316251	3316251
55	C/S 5TH GEAR (A, B)	3316196	3316196
56	SNAP RING	3315751	3315751
57	BEARING CONE	791943	25590
58	BEARING CUP	1313645	25522
59	WASHER	3315687	3315687
60	SNAP RING	3315686	3315686
61	BEARING CONE	658981	3782
62	BEARING CUP	660181	3720
63	COUNTERSHAFT	3316194	3316194
64	KEY (2)	230292	230292
65	C/S 2ND GEAR (A, B)	3316202	3316202
N/A	SMALL PARTS KIT	K-7026	K7026
N/A	GASKET KIT	K-7028	K7028
N/A	BEARING REPAIR KIT	K-7035	K7035



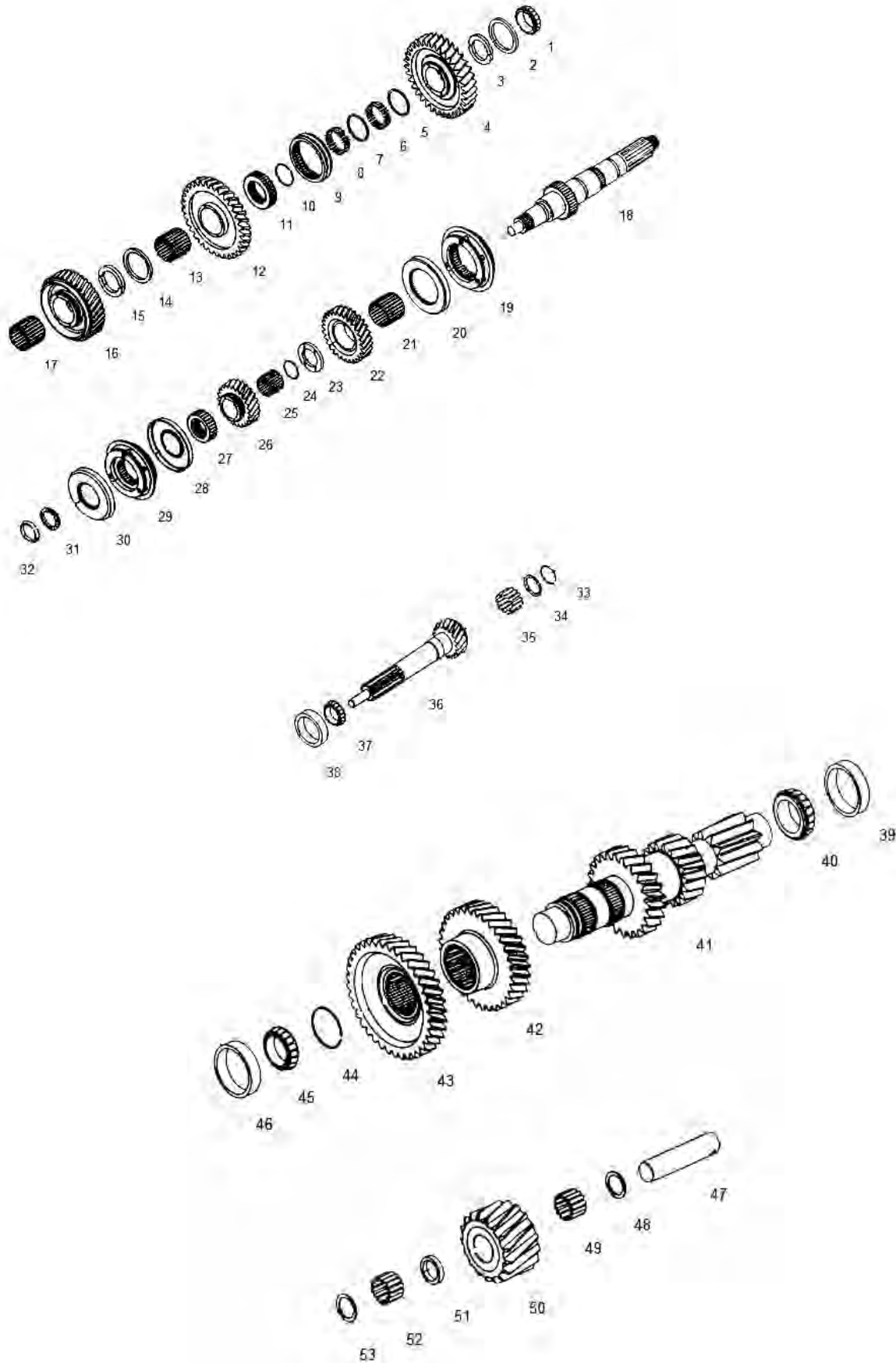
## HEAVY DUTY, LIGHT DUTY AND PERFORMANCE AXLE SHAFTS

All of our axle shafts are top quality and include all popular applications in today's aftermarket. Contact your sales representative for a copy of this catalog, or download a PDF version at:

[www.worldamerican.com](http://www.worldamerican.com)  
[www.midwesttruck.com](http://www.midwesttruck.com)



# EATON/FULLER<sup>®</sup> TYPE FS6305 SERIES

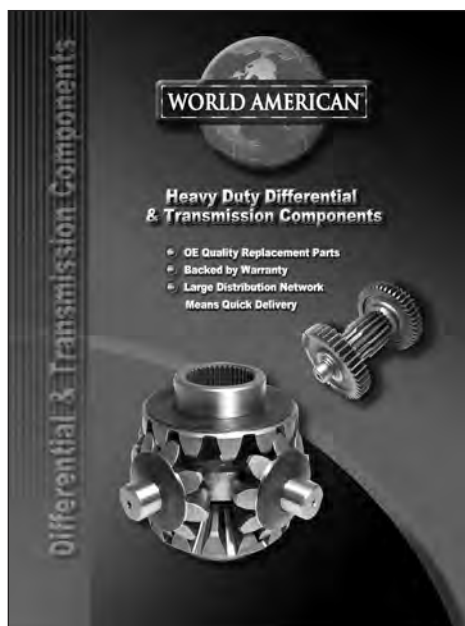


# TREMEC<sup>®</sup> TYPE FSM-5005

FIGURE	DESCRIPTION	OEM REF#	WORLD AMERICAN™ #
1	BEARING CONE	28580A	237227
2	OIL SEAL	235375	235375
3	SPLIT WASHER (2)	235374	235374
4	M/S 1ST GEAR	EO4 0121 AA	5005M-12
5	SNAP RING	235431	235431
6	BEARING	235376	235376
7	SNAP RING	235431	235431
8	BEARING	235376	235376
9	SLIDING CLUTCH	MC4 0058 AA	5005M-15
10	RETAINING RING	235372	235372
11	CLUTCH HUB 1ST/REV.	MC4 0056 AA	5005M-81
12	M/S REVERSE GEAR	EO4 0055 AA	5005M-36
13	BEARING	F94490	239653
14	OIL SEAL	235379	235379
15	SPLIT WASHER (2)	SE4 0064 AA	SE4 0064 AA
16	M/S 2ND GEAR	EO4 0542 AA	5005M-31
17	BEARING	F94490	239653
18	MAINSHAFT	TEFP0145	5005M-2
19	2/3 SYNCHRONIZER	EE4 0069 AA	5005M-2.5
20	2/3 SYNCHRONIZER CUP	CS4 0077 AA	5005M-83
21	BEARING	239653	239653
22	M/S 3RD GEAR	EO4 0122 AB	5005M-18
	M/S 3RD GEAR	EO4 0144 AA	5005M-18A
23	WASHER	SE4 0075 AA	SE4 0075 AA
24	RETAINING RING	224069	224069
25	BEARING	BA4 0062 AA	BA4 0062 AA
26	M/S 4TH GEAR	EO4 0123 AA	5005M-11
	M/S 4TH GEAR	EO4 0145 AA	5005M-11A
27	CLUTCH HUB 4TH/5TH	TEMZ0146	5005M-2.5
28	4/5 SYNCHRONIZER CUP	CS4 0541 AA	5005M-14
29	4/5 SYNCHRONIZER	EE4 0079 AA	5005M-80
30	4/5 SYNCHRONIZER CUP	CS4 0541 AA	5005M-14
31	BEARING	235382	96828
32	BEARING RACE	235383	235383
33	SNAP RING	235416	235416
34	WASHER	235415	235415
35	NEEDLE BEARING	235414	235414
36	MAIN DRIVE GEAR	TEFM0394	5005M-16
	MAIN DRIVE GEAR	TEFM0396	5005M-16A

# TREMEC® TYPE FSM-5005

FIGURE	DESCRIPTION	OEM REF#	WORLD AMERICAN™ #
37	BEARING CONE	235418	235418
38	BEARING CUP	235417	235417
39	BEARING CUP	6554166	25520
40	BEARING CONE	791943	25590
41	COUNTERSHAFT	TE4 0125 AB	5005M-3
	COUNTERSHAFT	TE4 0147 AA	5005M-3C
42	C/S 4TH GEAR	EO4 0127 AB	5005M-44A
	C/S 4TH GEAR	EO4 0149 AA	5005M-44A
43	C/S 5TH GEAR	EO4 0126 AA	5005M-9
44	SNAP RING	791943	224024
45	BEARING CONE	791943	25590
46	BEARING CUP	6554166	25520
47	IDLER SHAFT	BR4 0018 AA	5005M-35
48	SPACER	SE4 0020 AA	SE4 0020 AA
49	NEEDLE BEARING	BA4 0021 AA	BA4 0021 AA
50	IDLER GEAR	EL4 0083 AA	5005M-10
51	SPACER	235413	235413
52	NEEDLE BEARING	BA4 0021 AA	BA4 0021 AA
53	SPACER	SE4 0020 AA	SE4 0020 AA



## HEAVY DUTY DIFFERENTIAL & MANUAL TRANSMISSION COMPONENTS

This catalog features differential and manual transmission components and rebuild kits for heavy duty application. Helpful unit breakdown diagrams have numerically matched parts listed to aid in identification.

Contact your sales representative for a copy of this catalog, or you can download a PDF version at:

[www.worldamerican.com](http://www.worldamerican.com)  
[www.midwesttruck.com](http://www.midwesttruck.com)

# MID-RANGE EATON/FULLER INTERCHANGE <sup>®</sup>

OEM REF #	WORLD AMERICAN™ #	DESCRIPTION
21545	21545	M.S. 2ND GEAR - FS-4005 A, B
21546	21546	M.S. 3RD GEAR - FS-4005 A, B
21547	21547	HUB 2ND & 3RD - FS-4005 A, B
21635	23694	SLEEVE 4TH & 5TH - FS-4005 A, B
21898	21898	MAIN DRIVE GEAR - FS-5106A, 6206A
22075	22075	M.S. 3RD GEAR - FS-6206A
22076	22076	C.S. 2ND GEAR - FS-6206A
22079	22079	M.S. 4TH GEAR - FS-4005 A, B
22080	22080	C.S. 4TH GEAR - FS-4005 A, B
23056	23056	MAIN DRIVE GEAR - FS-4005
23301	23301	MAINSHAFT - FS-6206A
23694	23694	HUB GEAR - FS-4005
23695	23695	MAINSHAFT KIT - FS-4005
23696	K2291	MAINSHAFT - 550, 551, 557
203609	WT215-35B	SHAFT, REV. GEAR - 260, 265
209839	WT263-19	BUSHING - 260, 265
219409	WT263-11J	C.S. 3RD GEAR - 260, 265
220252	WT273-34	C.S. 4TH GEAR - 262, 265
220253	WT273-9	C.S. 5TH GEAR - 262, 265
220255	AWT263-2.5B	SYNCHRO. ASSY - 260V
220269	220269	M.S. 2ND GEAR - 262, 265
220271	WT215-8	C.S. 5TH GEAR - 262, 265
220273	WT263-11A	C.S. 3RD GEAR - 262, 265
220279	WT263-34A	M.S. 3RD GEAR - 262, 265
220280	WT263-34	M.S. 3RD GEAR - 262, 265
220522	WT273-15	M.S. 4TH GEAR - 262, 265
221412	221412	COUNTERSHAFT - 262, 265, 267, 269
221480	AWT263-2.5	SYNCHRO. ASSY. - 265V, 267V, VO, 269V
222959	WT263-2A	MAINSHAFT - 262, 265
223677	223677	WASHER - 262, 265, 269
223679	223679	WASHER - 262, 265, 269
224024	224024	SNAP RING - 280, 282, 285
224031	224031	SNAP RING - 280, 282, 285
224052	224052	WASHER - 280, 282, 285
224069	224069	SNAP RING - 280, 282, 285
224070	224070	SNAP RING - 280, 282, 285
224075	224075	SNAP RING - 280, 282, 285
227075	WT263-2B	MAINSHAFT - 262, 264, 265
227079	WT273-16D	MAIN DRIVE GEAR - 262, 265
227082	227082	WASHER - 280, 282, 285
227360	WT263-2C	MAINSHAFT - 262, 265
227675	227675	FORK INSERT - 280, 282, 285
228121	AWT263-2.5	SYNCHRO. ASSY. - 265V, 267V, VO, 269V
228289	WT305-2	MAINSHAFT - 280V
228289 (METRIC)	WT305-2	MAINSHAFT - 280V, 282V, 285V
228296	WT305-14	SYNCHRO. CUP - 280, 390, 450, 550
228297	WT305-2.5	SLEEVE, 4TH & 5TH - 280V
228299	WT305-11A	(SEE 238201) - 282
228300	WT305-18A	(SEE 238202) - 282
228301	228301	WASHER - 282, 285V
228306	WT305-83	SYNCHRO. CUP - 280, 390, 450, 550
228307	WT305-81	SLEEVE, 2ND & 3RD - 280V
228310	228310	WASHER - 282, 285V
228313	WT305-9	C.S. DRIVE GEAR (45T) - 282, 285
228313 (METRIC)	WT305-9	C.S. DRIVE GEAR (46T) - 280, 282, 285V
228314	WT305-44B	C.S. 4TH GEAR - 282
228316	228316	WASHER - 282, 285
228340	WT305-16A	MAIN DRIVE GEAR - 282V, 285V
228343	WT305-9A	C.S. DRIVE GEAR - 280VO
228345	WT305-11	(USE 238199) - 282V, 285V
228349	WT305-44	(USE 238198) - 285
228379	WT305-18	(USE 238200) - 285
228578	WT305-12	M.S. 1ST GEAR - 280V

# MID-RANGE EATON/FULLER<sup>®</sup> INTERCHANGE

OEM REF #	WORLD AMERICAN™ #	DESCRIPTION
228580	WT305-3	COUNTERSHAFT - 280V
228581	WT305-10	REV. IDLER GEAR - 280V
228605	WT327-16K	MAIN DRIVE GEAR - 280VO
228726	WT305-31	M.S. 2ND GEAR - 280V
229229	AWT305-2.5	SYNCHRO. ASSY. - 280, 390, 450, 550
229230	AWT305-80	SYNCHRO. ASSY. - 280, 390, 450, 550
229456	WT305-6	RETAINER (GMC) - 280V
230207	WT305-16F	MAIN DRIVE GEAR - 282V, 285V
230211	WT305-6C	RETAINER (FORD) - 280V
230292	230292	KEY - 265, 282V, 285
230706	230706	M.S. SNAP RING - 280, 282, 285
233200	WT305-16G	MAIN DRIVE GEAR - 282V, 285V
233731	233731	KEY - 263, 280
233798	WT305-23A	FORK PAD - 280, 390, 550
235351	WT326-16D	MAIN DRIVE GEAR - 551
235353	WT326-16	MAIN DRIVE GEAR - 551
235354	WT326-15A	MAIN DRIVE GEAR - 551
235359	WT326-2	MAINSHAFT - 390V, 550, 551
235363	WT326-12	M.S. 1ST GEAR - 390, 551, 558
235364	WT326-12A	M.S. 1ST GEAR - 397, 557
235365	WT326-36	M.S. REV GEAR - 390V, 550
235366	WT326-31	M.S. 2ND GEAR - 390V, 550
235367	WT326-18	M.S. 3RD GEAR - 390, 397
235368	WT326-18A	M.S. 3RD GEAR - 397V
235369	WT326-11	M.S. 4TH GEAR - 390V
235371	WT326-2.5	SLEEVE, REV. GEAR - 390V, 550
235372	235372	SNAP RING - 390, 550
235373	WT326-15	SLEEVE, 1ST GEAR - 390V, 550
235374	235374	WASHER - 390V, 550
235375	235375	WASHER - 390V, 550
235376	FC66464	NEEDLE BEARING - FS-4005
235378	235378	SPLIT WASHER - 390V, 550
235379	235379	SNAP RING - 390V, 550
235380	235380	WASHER - 390V, 550
235381	WT326-81	SLEEVE, 3RD & 4TH - 390V, 550
235383	TR235383	M/D GEAR FASTENER - FS-4005
235384	WT326-3	COUNTERSHAFT - 390, 551, 558
235386	WT326-3A	COUNTERSHAFT - 397, 557
235388	WT326-9	C.S. DRIVE GEAR - 390, 551
235389	WT326-9A	C.S. DRIVE GEAR - 397, 557, 558
235390	WT326-44	C.S. 4TH GEAR - 390, 551, 558
235391	WT326-44A	C.S. 4TH GEAR - 380, 387, 390
235392	WT326-10	REV. IDLER GEAR - 390V, 550
235414	235414	NEEDLE BEARING - 390, 550
235415	235415	SNAP RING - 390, 551, 558
235416	235416	SNAP RING - 390, 551, 558
235419	235419	OIL BAFFLE - 390, 550
235430	235430	WASHER - 390, 550
235431	235431	WASHER - 390, 550
235432	WT326-16C	MAIN DRIVE GEAR - 557
235649	235649	MAIN DRIVE GEAR - 557
237053	AWT305-80	SYNCHRO. ASSY. - 280, 390, 450, 550
237054	AWT305-2.5	SYNCHRO. ASSY. - 280,390,450, 550
237335	4300882R	M/D GEAR RETAINER - 390, 450
237511	237511	MAIN DRIVE GEAR - 280V
237736	WT327-2	MAINSHAFT - 280VHD
237742	237742	MAIN DRIVE GEAR - 280, 282, 285
238036	238036	MAIN DRIVE GEAR - 280, 282, 285
238058	238058	MAIN DRIVE GEAR - 280, 282, 285V
238198	WT305-44	C.S. 4TH GEAR - 285
238199	WT305-11	M.S. 4TH GEAR - 280V, 285V
238200	WT305-18	M.S. 3RD GEAR - 285
238201	WT305-11A	M.S. 4TH GEAR - 282

# MID-RANGE EATON/FULLER INTERCHANGE<sup>®</sup>

OEM REF #	WORLD AMERICAN™ #	DESCRIPTION
238202	WT305-18A	M.S. 3RD GEAR - 282
239346	WT326-18C	M.S. 3RD GEAR - 397, 557
239347	WT326-11C	M.S. 4TH GEAR - 397, 557
239348	WT326-2C	MAINSHAFT - 390, 550
239349	239349	WASHER - 390, 550
239350	WT326-2.5A	SLEEVE, 3RD & 4TH - 390, 550
239352	WT326-18B	M.S. 3RD GEAR - 390, 550
239353	WT326-11B	M.S. 4TH GEAR - 390, 551, 558
239409	WT326-2E	MAINSHAFT - 390, 550, 557
239785	239785	MAINSHAFT - 450, 455
239787	239787	M.S.1ST GEAR - 450, 455
239789	239789	M.S. REV. GEAR - 450, 455
239790	239790	M.S. 2ND GEAR - 450, 455
239791	239791	SLEEVE, REV. - 450, 455
239792	239792	M.S. 3RD GEAR - 450, 455
239793	239793	M.S. 4TH GEAR - 450, 455
239799	4301592	M.S. REV. GEAR - 450, 455
239803	239803	MAIN DRIVE GEAR - 450, 455
239807	239807G	MAIN DRIVE GEAR - 450, 455
239808	239808	MAIN DRIVE GEAR - 455, 457
239810	239810	MAIN DRIVE GEAR - 455, 457, FS-4005 B, C
239815	239815	M.S. 4TH GEAR - 450
239819	239819	SNAP RING - 455, 457
239821	239821	RETAINER - 450
239832	239832	SLEEVE, 1ST & REV - 450
240022	240022	REVERSE IDLER - 450, 455, 457
240023	240023	WASHER - 450, 455, 457
240026	240026	WASHER - 450, 455, 457
240037	240037	SNAP RING - 450, FS-4005
240327	240327	SNAP RING - 450, FS-4005
240767	240767	WASHER - 450, 455, 457
241012	241012	C.S. DRIVE GEAR - 450, 455, 457
241013	241013	C.S. DRIVE GEAR - 450, 457
241014	241014	C.S. 4TH GEAR - 455
241015	241015	C.S. 4TH GEAR - 450, 455, 457
241016	241016	M.S. 3RD GEAR - 450
241017	241017	C.S. 2ND GEAR - 450
241018	241018	COUNTERSHAFT - 450
2601272	WT273-16ES	MAIN DRIVE GEAR - 262, 265
2601278	WT263-16ES	MAIN DRIVE GEAR - 262, 265
3313039	3313039	MAINSHAFT - 282, 285V
3313587	3313587	MAIN DRIVE GEAR - FS-4005C
3315536	3315536	MAIN DRIVE GEAR - 455, 457, FS-4005 B, C
3315715	3315715	M.S. 4TH GEAR - FS5106A, FS6206A
3315720	3315720	M.S. DRIVE GEAR - FS6106A, FS6206A
3315740	3315740	COUNTERSHAFT - FS6106A, FS6206A
3315743	3315743	C.S. DRIVE GEAR - FS6106A, FS6206A
3315745	3315745	C.S. 4TH GEAR - FS6106A, FS6206A
3315747	3315747	C.S. 3RD GEAR - FS6106A, FS6206A
3316194	3316194	COUNTERSHAFT - FS6205, FS6305
3316198	3316198	C.S. 4TH GEAR - FS6205, FS6305
3316200	3316200	C.S. 3RD GEAR - FS6205, FS6305
3316202	3316202	C.S. 2ND GEAR - FS6205, FS6305
3316257	3316257	MAIN DRIVE GEAR - FS6205, FS6305
3316321	3316321	C.S. 4TH GEAR - FS6205, FS6305
4210502	4210502	MAIN DRIVE GEAR - 280, 282, 285
4300882	4300882R	RETAINER - FS-4205, FS5205
4301181	4301181	C.S. DRIVE GEAR - FS-5205
4301182	4301182	C.S. DRIVE GEAR - FS-5205
4301183	4301183	C.S. 4TH GEAR - FS-5205
4301185	4301185	COUNTERSHAFT - FS-5205
4301187	4301187	COUNTERSHAFT - FS-5205
4301526	4301526	MAIN DRIVE GEAR - FS-4205
4301528	4301528	M.S. 3RD GEAR - FS-4205
4301529	4301529	M.S. 2ND GEAR - FS-4205

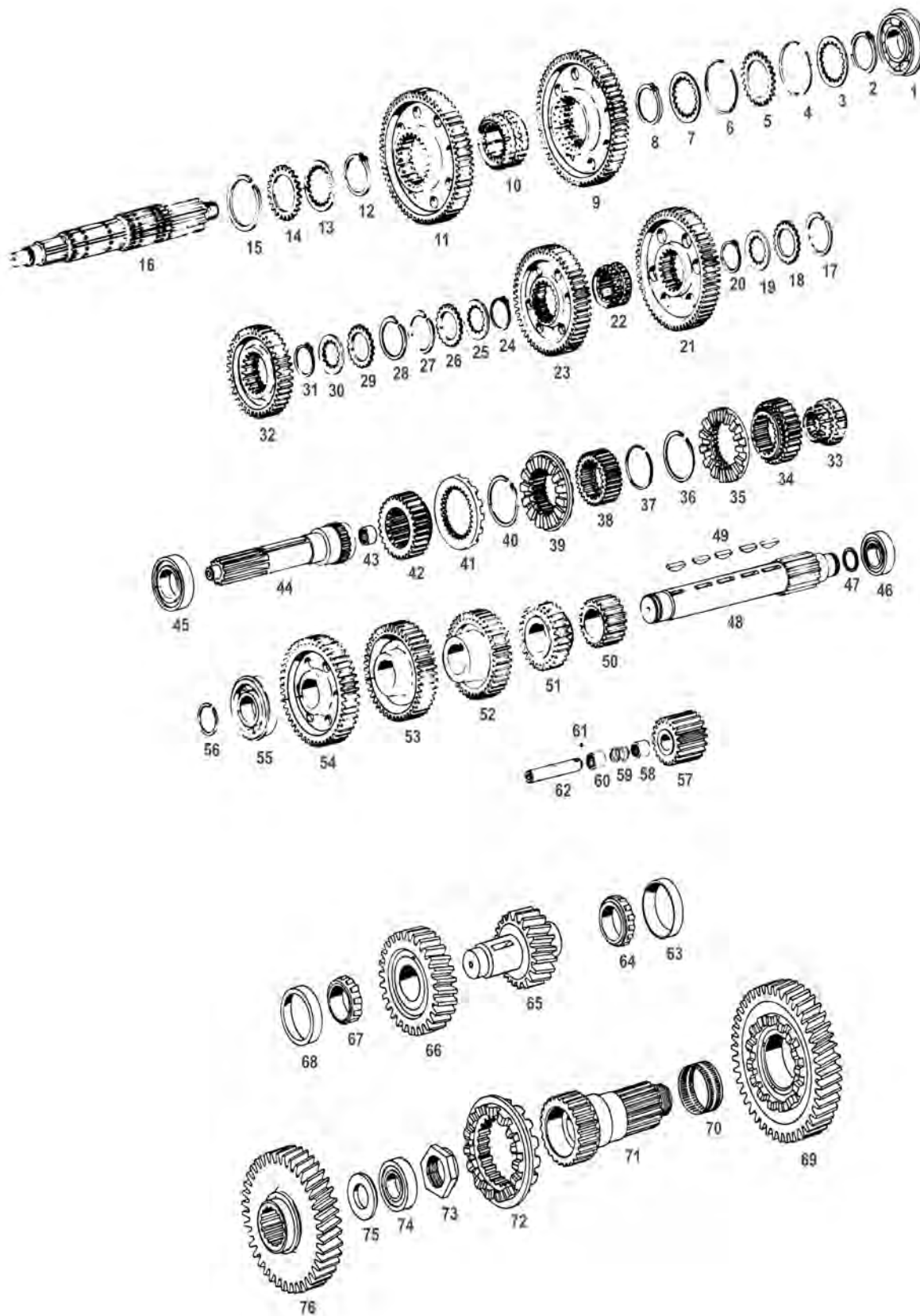
# MID-RANGE EATON/FULLER<sup>®</sup> INTERCHANGE

OEM REF #	WORLD AMERICAN <sup>™</sup> #	DESCRIPTION
4301532	4301532	MAINSHAFT - FS-4205
4301535	4301535	C.S. 3RD GEAR - FS-4205
4301536	4301536	C.S. 4TH GEAR - FS-4205
4301537	4301537	COUNTERSHAFT - FS-4205
4301612	4301612	M.S. 4TH GEAR - FS-4205
4301613	4301613	C.S. 4TH GEAR - FS-4205
4301614	4301614	MAIN DRIVE GEAR - FS-4205
4301625	4301625	MAIN DRIVE GEAR - FS-4205
4301626	4301626	MAIN DRIVE GEAR - FS-4205
4301684	4301684	MAINSHAFT - FS-5205
4301685	K3303	M.S. 4TH GEAR - FS-5205
4301686	4301686	M.S. 3RD GEAR - FS-5205
4301687	4301687	M.S. 2ND GEAR - FS-5205
4301691	4301691	C.S. 4TH GEAR - FS-5205
4301706	4301706	HUB 2ND & 3RD - FS-5205
4301717	22080	C.S. 4TH GEAR - FS-4005 A, B,
4301748	4301748	MAIN DRIVE GEAR - FS6205, FS6305
4301750	4301750	MAIN DRIVE GEAR - FS6205, FS6305
4301758	4301758	MAINSHAFT - FS6205, FS6305
4301759	4301759	M.S. 4TH GEAR - FS6205, FS6305
4301760	4301760	M.S. 4TH GEAR - FS6205, FS6305
4301761	4301761	M.S. 3RD GEAR - FS6205, FS6305
4301762	4301762	M.S. 2ND GEAR - FS6205, FS6305
4301766	4301766	SLEEVE, 3RD & 4TH - FS6205, FS6305
4301775	4301775	C.S. 4TH GEAR - FS6205, FS6305
4301776	4301776	M.S. 3RD GEAR - FS-5205
4301825	4301825	MAIN DRIVE GEAR - FS-5205
4301898	4301898	MAIN DRIVE GEAR - FS-5205
4303689	4303689	SYNCHRO. HUB - FS-4205
4303796	4303796	M.S. 4TH GEAR W/ HUB - FS-4205
4303905	4303905	M.S. 4TH GEAR - FS-5205
5951033	5951033	MAIN DRIVE GEAR - 550, 551, 557
5951050	5951050	MAIN DRIVE GEAR - 550, 551, 557
5951057	5951057	MAIN DRIVE GEAR - 550, 551, 557
5951092	5951092	COUNTERSHAFT - 550, 551, 557
5951095	5951095	C.S. DRIVE GEAR - 550, 551, 557
5951100	5951100	MAIN DRIVE GEAR - 550, 551, 557
A-6137	A6137	SYNCHRO. 2ND & 3RD - FS-4205
A-6144	A6144	SYNCHRO. 4TH & 5TH - FS-4205
K-3303	K3303	M.S. 4TH GEAR W/ HUB - FS-5205



# SP1414-3A (Mexico), SPO140-12B, 120-12A, SP0150-12A

SPICER® TYPE





# SP1414-3A (Mexico), SPO140-12B, 120-12A, SP0150-12A

## SPICER® TYPE

FIGURE	DESCRIPTION	OEM REF #	WORLD AMERICAN™ #
1	BEARING	550925	550925
2	SNAP RING	98-381-1	98-381-1
3	WASHER	330869	330869
4	SNAP RING	97-381-32	97-381-32
5	WASHER	330810	330810
6	SNAP RING	97-381-32	97-381-32
1	BEARING	550925	550925
2	SNAP RING	98-381-1	98-381-1
3	WASHER	330869	330869
4	SNAP RING	97-381-32	97-381-32
5	WASHER	330810	330810
6	SNAP RING	97-381-32	97-381-32
7	WASHER	330869	330869
8	SNAP RING	98-381-1	98-381-1
9	REVERSE M/S GEAR	97-8-182	97-8-182
10	COLLAR	97-465-24	97-465-24
11	1/2 M/S GEAR	97-8-113	97-8-113
12	SNAP RING	98-381-1	98-381-1
13	WASHER	330869	330869
14	WASHER	330810	330810
15	SNAP RING	98-381-2	98-381-2
16	MAINSHAFT	97-362-51	97-362-51
17	SNAP RING	97-381-1	97-381-1
18	WASHER	330814	330814
19	WASHER	330730	330730
20	SNAP RING	97-381-4	97-381-4
21	3/4 M/S GEAR (56T)	97-8-127	97-8-127
22	COLLAR	97-465-21	97-465-21
23	5/6 M/S GEAR (46T)	97-8-83	97-8-83
24	SNAP RING	97-381-4	97-381-4
25	WASHER	330730	330730
26	WASHER	330814	330814
27	SNAP RING	97-381-1	97-381-1
28	SNAP RING	97-381-1	97-381-1
29	WASHER	330814	330814
30	WASHER	330730	330730
31	SNAP RING	97-381-4	97-381-4
32	7/10 M/S GEAR (38T)	97-8-106	97-8-106
33	COLLAR	97-465-50	97-465-50
34	11/14 M/S GEAR (36T)	97-35-36	97-35-36
35	SPLITTER COLLAR	97-466-13	97-466-13
36	SNAP RING	97-381-31	97-381-31
37	SNAP RING	97-381-2	97-381-2
38	SPLITTER COLLAR (30T)	97-466-17	97-466-17
39	COLLAR	97-465-26	97-465-26
40	SNAP RING	97-381-31	97-381-31
41	SPLITTER COLLAR	97-466-13	97-466-13
42	HIGH GEAR (28T)	97-35-39	97-35-39
43	BEARING	550889	550889
44	MAIN DRIVE GEAR 2"	97-35-34	97-35-34
45	BEARING	550944	550944
46	BEARING	550969	550969
47	SNAP RING	97-381-34	97-381-34
48	COUNTERSHAFT	97-30-46	97-30-46
49	KEY (10)	500010-8	500010-8
50	3/4 C/S GEAR (23T)	97-196-17M	97-196-17M
51	5/6 C/S GEAR (32T)	97-196-54	97-196-54
52	7/10 C/S GEAR (40T)	97-196-88	97-196-88
53	11/14 C/S GEAR (54T)	97-196-53	97-196-53
54	HIGH GEAR (49T)	97-1-21	97-1-21
	HIGH GEAR	97-1-61	97-1-61
55	BEARING	550952	550952
56	SNAP RING	97-381-30	97-381-30
57	IDLER GEAR	97-5-1	97-5-1
58	BEARING	550886	WJ162116
59	SPACER	97-37-1	97-37-1
60	BEARING	550886	WJ162116

# SP1414-3A (Mexico), SPO140-12B, 120-12A, SP0150-12A

## SPICER® TYPE

FIGURE	DESCRIPTION	OEM REF #	WORLD AMERICAN™ #
61	STEEL BALL	5500566-8	5500566-8
62	IDLER SHAFT	97-60-1	97-60-1
63T	BEARING (2)	C550935	C550935
64T	BEARING (2)	C550936	C550936
65T	AUX SHAFT	C97-30-64	C97-30-64
66	HIGH GEAR SECONDARY	97-1-33	97-1-33
67	BEARING (2)	550900	550900
68	BEARING	550899	550899
69	AUXILIARY LOW GEAR	97-8-161	97-8-161
	AUXILIARY LOW GEAR	97-8-220	97-8-220
70	BEARING	550932	550932
71	AUX INPUT SHAFT	97-362-59	97-362-59
72	COLLAR	97-465-27	97-465-27
73	NUT	545006	545006
74	BEARING	550921	550921
75	SPACER	97-47-3	97-47-3
76	HIGH GEAR (34T)	97-8-159	97-8-159
N/A	KEY	500010-18	500010-18
N/A	BEARING KIT 550B36-3X	97B	97B
N/A	SMALL PARTS KIT 381AS36-4X	97-50M	97-50M
N/A	GASKET KIT 1637J36-1X	97-55	97-55
N/A	WASHER KIT 330RE36-6X	97-60	97-60

### HEAVY DUTY AIR BRAKE & VALVE COMPONENTS

This catalog is a valuable resource for O.E. quality replacement brake valves as well as clutches, steering components, electrical components, and water & hydraulic pumps.

Contact your sales representative for a copy of this catalog, or download a PDF version at:

[www.worldamerican.com](http://www.worldamerican.com)  
[www.midwesttruck.com](http://www.midwesttruck.com)



**WORLD AMERICAN**™

# INDUSTRY LEADER

World American leads the way in quality, service, and product variety. Distribution is vast with product delivery to over 30 countries World Wide. Our extensive selection of heavy duty and mid-range aftermarket products include:

- ▶ Manual Transmission
- ▶ Steering
- ▶ Hydraulic Pumps
- ▶ Suspension
- ▶ Differential
- ▶ Driveline
- ▶ PTO
- ▶ Water Pumps
- ▶ Air Brake
- ▶ Electrical
- ▶ Clutches

Heavy Duty, Mid-range, Light Duty, and Performance Catalog Selection from Midwest Truck & Auto Parts, Inc.™

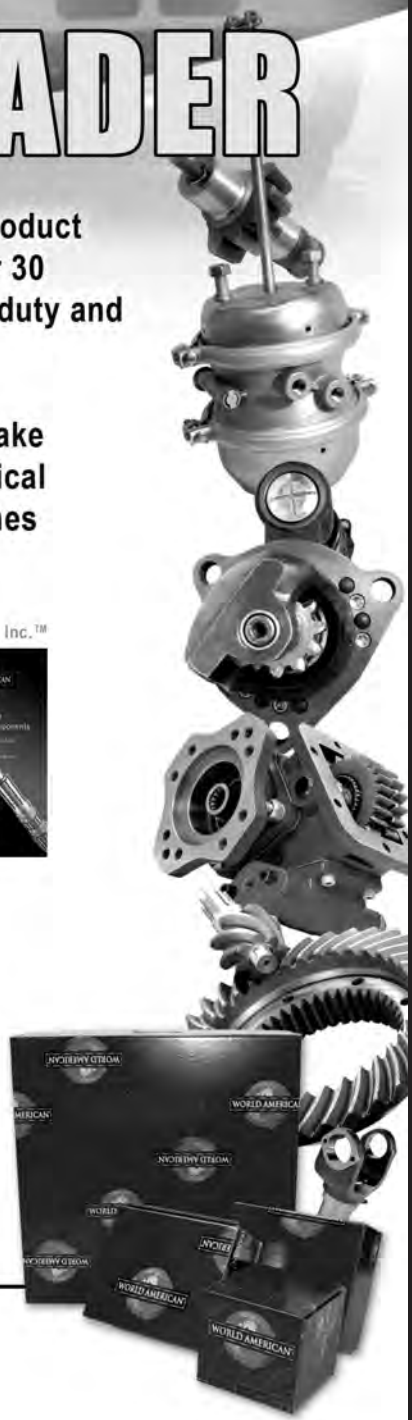


**Contact World American at:**

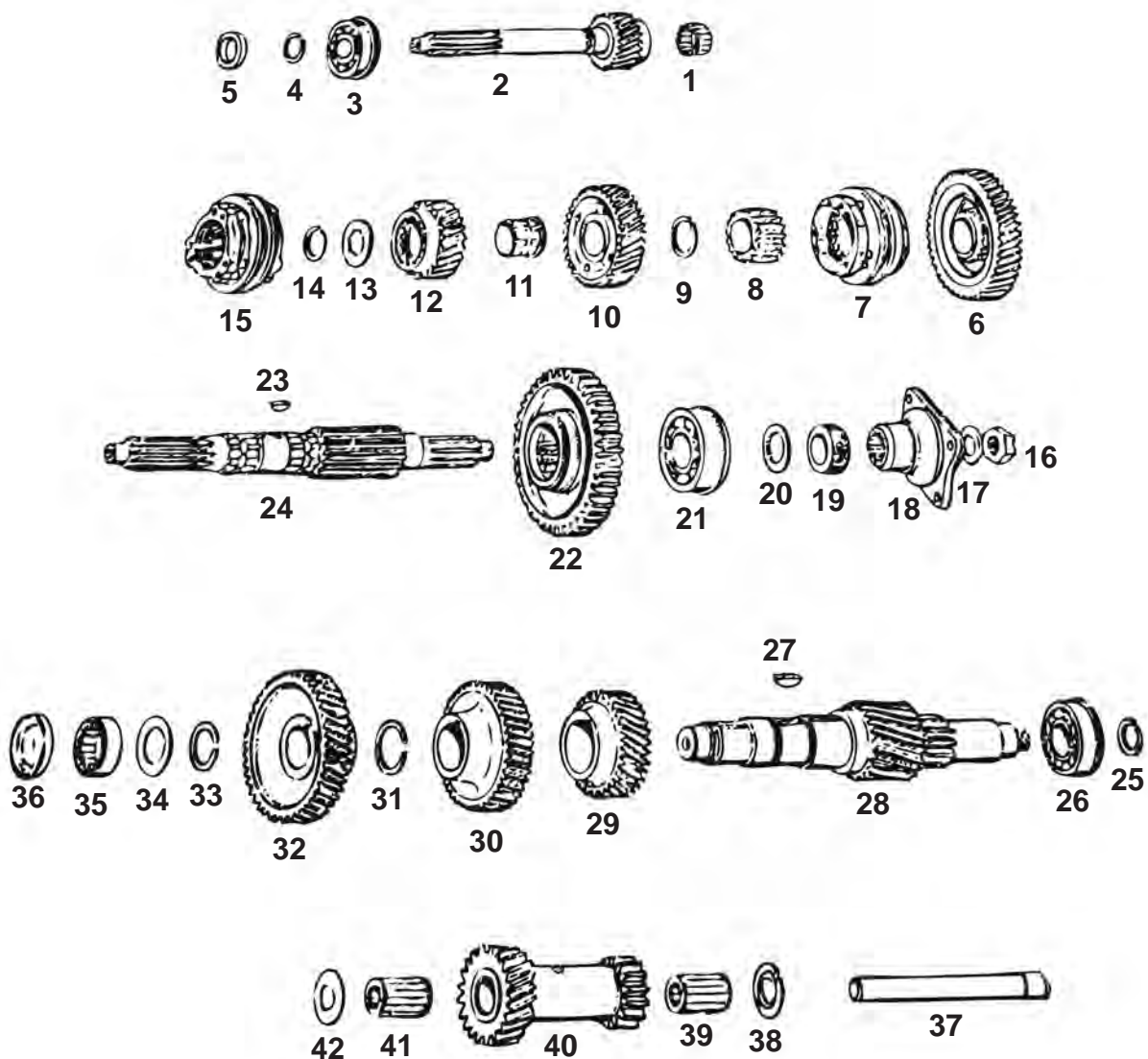
Toll Free: 800.934.2727 or 773.247.3400

**[www.worldamerican.com](http://www.worldamerican.com)**

Download catalogs for FREE!



# SPICER<sup>®</sup> TYPE 3000 CV 33 CV 34



# SPICER® TYPE 3000 CV 33 CV 34

FIGURE	DESCRIPTION	OEM REF #	WORLD AMERICAN™ #
1	NEEDLE BEARING (14)	24719-07	30-482-4
2	MAIN DRIVE GEAR	35222-07	30-35-96
	MAIN DRIVE GEAR	22222-07	30-35-97
6	M/S 2ND GEAR	16222-07	30-8-49
7	2/3 SYNCHRONIZER	29222-07	7735X
8	1/2 HUB GEAR	28222-07	30-466-5
10	M/S 3RD GEAR	106222-07	30-8-48
	M/S 3RD GEAR	18222-07	30-8-72
11	BUSHING	10103-07	30-37-14
12	M/S 4TH GEAR	107222-07	30-8-47
	M/S 4TH GEAR	45222-07	30-8-78
15	4/5 SYNCHRONIZER	30222-07	7736X
22	M/S 1ST GEAR	14222-07	30-8-50
24	MAINSHAFT	12021-07	30-362-18
28	COUNTERSHAFT	26021-07	312589
29	C/S 3RD GEAR	24222-07	30-196-24
30	C/S 4TH GEAR	108222-07	30-196-23
	C/S 4TH GEAR	46222-07	30-196-39
32	C/S 5TH GEAR	36222-07	30-1-23
	C/S 5TH GEAR	10222-07	30-1-26
NA	SMALL PARTS KIT	312714X	312714X
	<i>Contains:</i>	(2) 974W, (1) 975W, 976W (1) 27-381-1, 46-381-2, 30-381-5, 30-381-6 (6) 30-381-7, (3) 500010-3, (2) 50008-24	



## Satisfaction Guaranteed

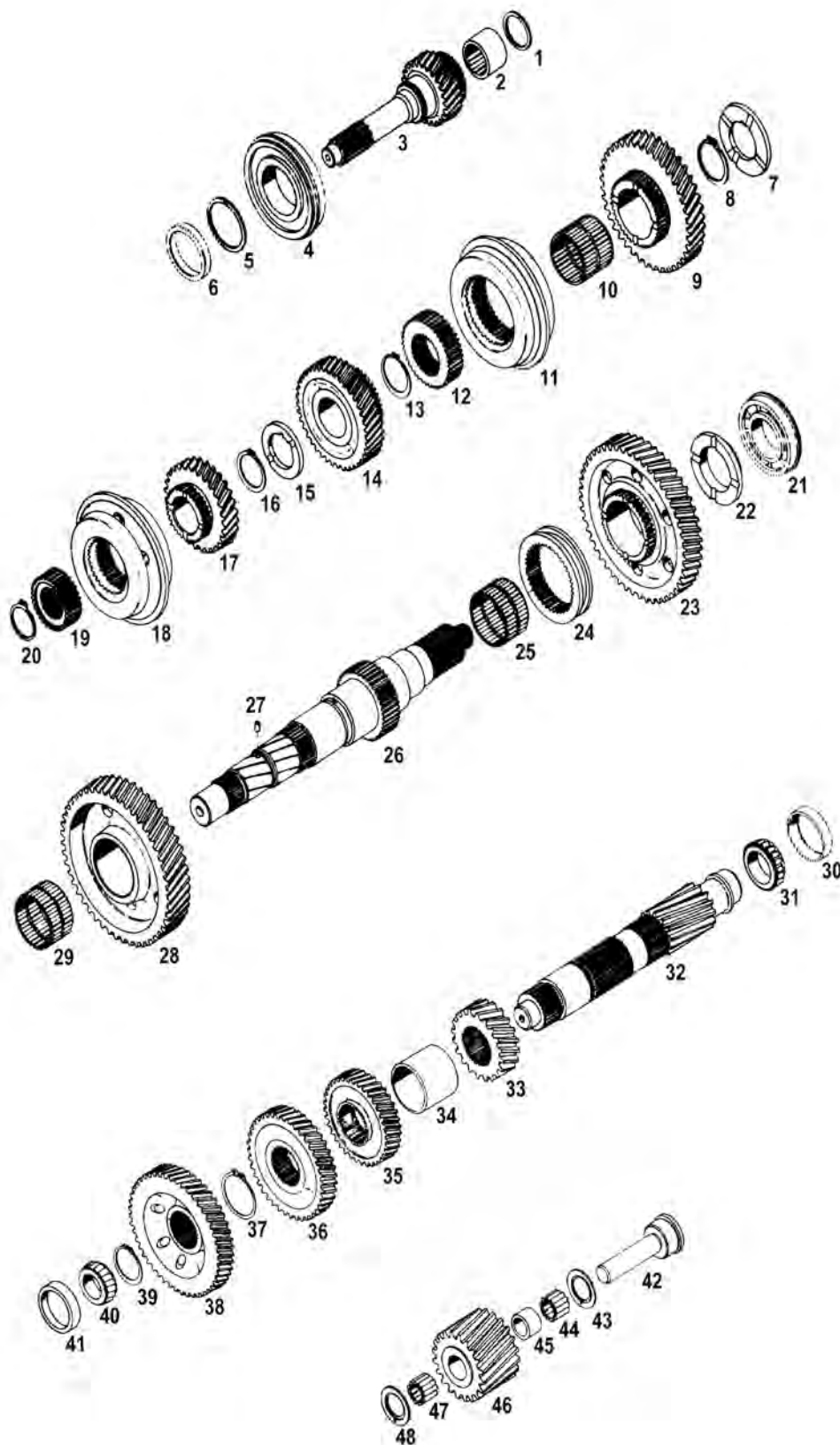
At World American we guarantee product quality, product performance, product value and customer service satisfaction. World American products:

- Meets or exceeds industry requirements.
- Backed by a comprehensive warranty
- Are competitively priced

Visit us online for more information at:

[www.worldamerican.com](http://www.worldamerican.com)  
[www.midwesttruck.com](http://www.midwesttruck.com)

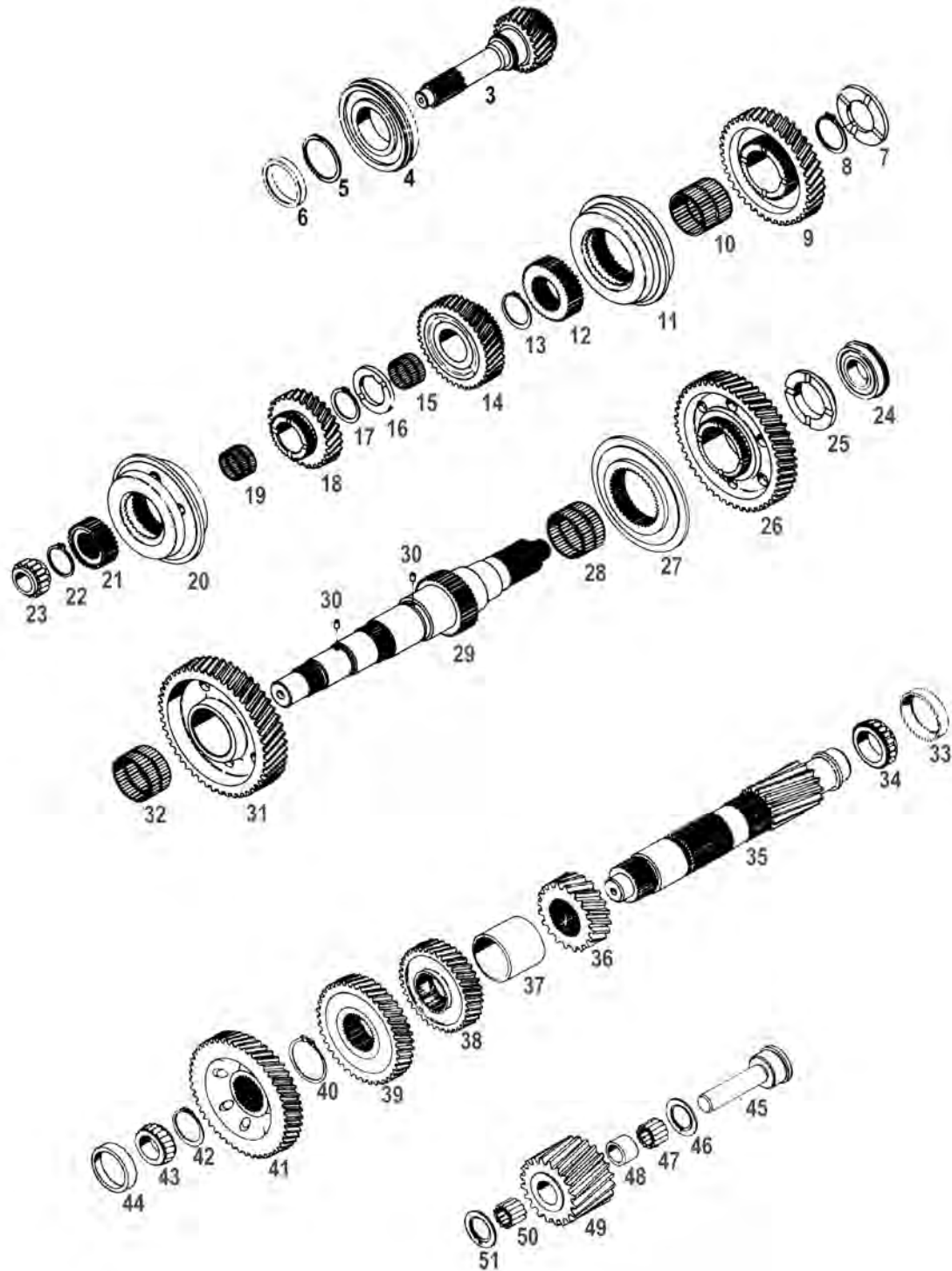
# SPICER<sup>®</sup> TYPE CM-40



# SPICER<sup>®</sup> TYPE CM-40

FIGURE	DESCRIPTION	OEM REF #	WORLD AMERICAN™ #
1	SNAP RING	40-381-6	40-381-6
2	POCKET BEARING	500962	500962
3	MAIN DRIVE GEAR (24T)	40-35-12	40-35-12
	MAIN DRIVE GEAR (24T)	40-35-22	40-35-22
7	THRUST WASHER	40-47-2	40-47-2
8	SNAP RING	40-381-4	40-381-4
9	M/S 2ND GEAR (38T)	40-8-5	40-8-5
10	BEARING	550968	F95407
11	2/3 SYNCHRONIZER (313471X)	313764X	313764X
12	M/S CLUTCH GEAR	40-466-2	40-466-2
13	SNAP RING	40-381-3	40-381-3
14	M/S 3RD GEAR (39T)	40-8-3	40-8-3R
	M/S 3RD GEAR (39T)	40-8-17	40-8-17
15	THRUST WASHER	40-47-3	40-47-3
16	SNAP RING	40-381-2	40-381-2
17	M/S 4TH GEAR (28T)	40-8-1	40-8-1
	M/S 4TH GEAR (26T)	40-8-11	40-8-11
	M/S 4TH GEAR (28T)	40-8-19	40-8-19
	M/S 4TH GEAR (26T)	40-8-21	40-8-21
18	4/5 SYNCHRONIZER (313472X OR 313558X)	313775X	313775X
19	M/S CLUTCH GEAR (49-466-2) - 33T	49-466-2	49-466-2
20	SNAP RING	40-381-1	40-381-1
22	THRUST WASHER	313605X	313605X
23	CLUTCH COLLAR	40-465-11	40-465-11
	M/S REVERSE GEAR (46T)	40-8-9	40-8-9
24	CLUTCH COLLAR	40-465-1	313685-3X
25	BEARING	550963	F13290
26	MAIN SHAFT	40-362-1	40-362-1
27	PIN-THRUST WASHER LOCK	545087	545087
28	M/S 1ST GEAR (46T)	40-8-7	40-8-7R
29	BEARING	550963	F93290
31	BEARING	550966	550966
32	COUNTERSHAFT	40-30-1	40-30-1
33	C/S 2ND GEAR (20T)	40-196-5	40-196-5
34	SPACER	40-37-1	40-37-1
35	C/S 3RD GEAR (36T)	40-196-3	40-196-3
36	C/S 4TH GEAR (40T) - FOR 4054-A	40-196-1	40-196-1
	C/S 4TH GEAR (42T) - FOR 4054-D	40-196-7	40-196-7
37	SNAP RING	40-381-5	40-381-5
38	C/S DRIVE GEAR (49T)	40-1-1	40-1-1
39	SNAP RING	40-381-3	40-381-3
40	BEARING CONE	550964	550964
41	BEARING CUP	550965	550965
42	SHAFT	40-60-1	40-60-1
43	THRUST WASHER	974W	974W
44	BEARING	550886	WJ162116
45	SPACER	97-37-1	97-37-1
46	REVERSE IDLER GEAR (21T)	40-5-1	40-5-1
47	BEARING	550886	WJ162116
48	THRUST WASHER	974W	974W
N/A	NUT (501200)	263-90	222960
N/A	GASKET KIT	312475-40X	312475-40XR
N/A	SMALL PARTS KIT	313024-14X	313024-14X

# SPICER<sup>®</sup> TYPE CM-49

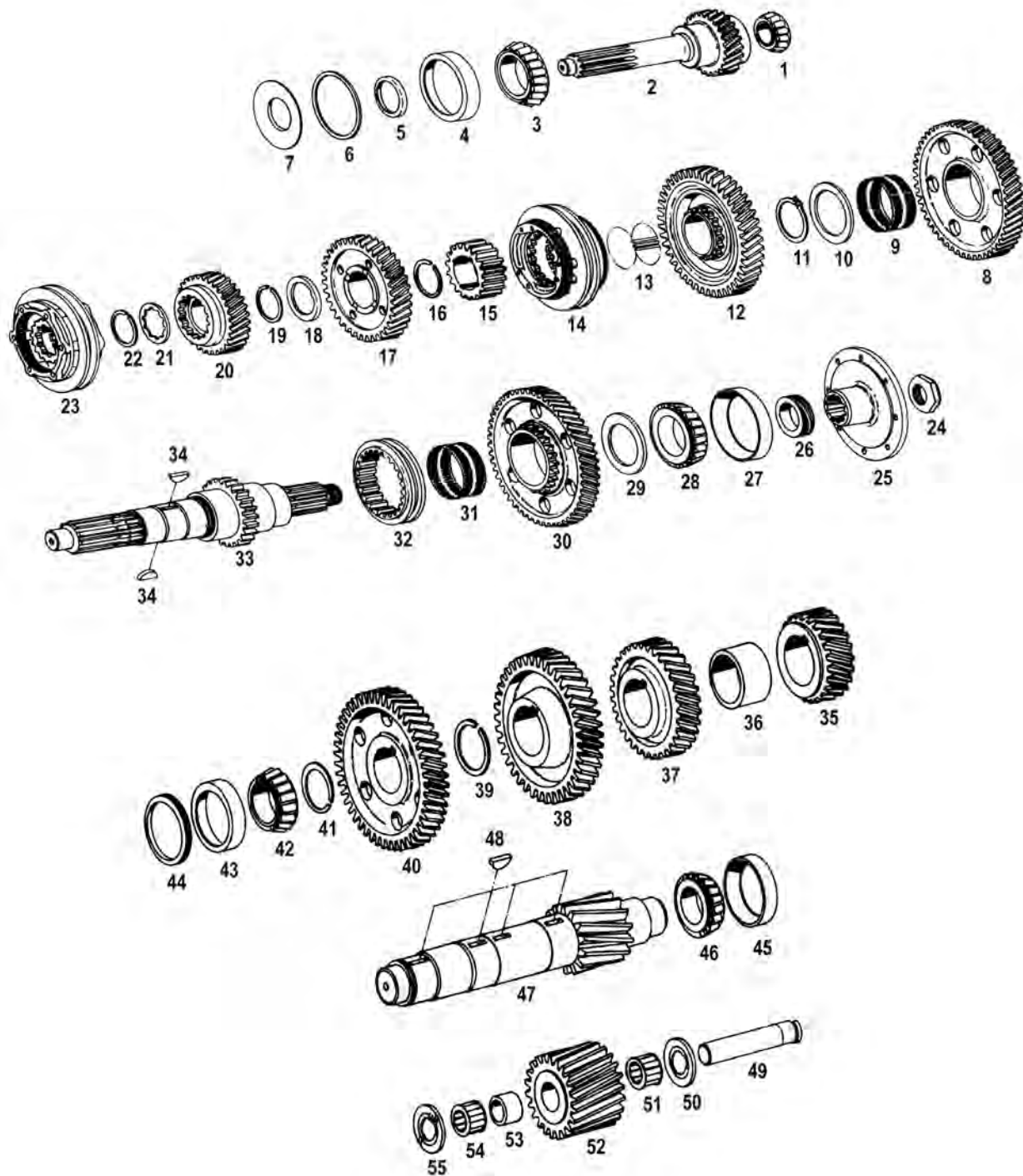




# SPICER<sup>®</sup> TYPE CM-49

FIGURE	DESCRIPTION	OEM REF #	WORLD AMERICAN™ #
3	MAIN DRIVE GEAR (21T) - 1.5"	49-35-3	49-35-3-1X
	MAIN DRIVE GEAR (21T) - 1.75"	49-35-8	49-35-8-1XR
4	BEARING	550986	550986
7	THRUST WASHER	49-47-1	49-47-1
8	SNAP RING	49-381-1	49-381-1
9	M/S 2ND GEAR (38T) 49-8-5	49-8-5	
10	BEARING	550963	550963
11	2/3 SYNCHRONIZER 313764X	313764X	
12	M/S CLUTCH GEAR 49-466-1	49-466-1	
13	SNAP RING	40-381-4	40-381-4
14	4M/S 3RD GEAR (34T)	49-8-7	49-8-7
15	BEARING	550968	F95407
16	THRUST WASHER	49-47-2	49-47-2
17	SNAP RING	40-381-3	40-381-3
18	M/S 4TH GEAR (21T) - FOR 4954-D	49-8-11	49-8-11
	M/S 4TH GEAR (22T) - FOR 4954	49-8-9	49-8-9
19	BEARING	550990	550990
20	4/5 SYNCHRONIZER 313775X	313775X	
21	M/S CLUTCH GEAR (49-466-2)	40-466-1	40-466-2
22	SNAP RING	40-381-1	40-381-1
23	BEARING	550986	550986
25	THRUST WASHER	49-47-3	49-47-3
26	M/S REVERSE GEAR (45T)	49-8-1	49-8-1
27	CLUTCH COLLAR	49-465-6	49-465-6
	CLUTCH COLLAR	49-465-7	49-465-7
28	BEARING	550963	550963
29	MAIN SHAFT	49-362-1	49-362-1
30	PIN-THRUST WASHER LOCK	545087	545087
31	M/S 1ST GEAR (45T) 49-8-3	49-8-3R	
32	BEARING	550991	550991
34	BEARING	550868	2788A
35	COUNTERSHAFT	49-30-3	49-30-3
36	C/S 2ND GEAR (20T) 49-196-1	49-196-1	
37	SPACER	49-37-5	49-37-5
38	C/S 3RD GEAR (32T) 49-196-3	49-196-3	
39	C/S 4TH GEAR (32T) - FOR 4954	49-196-5	49-196-5
	C/S 4TH GEAR (34T) - FOR 4954-D	49-196-7	49-196-7
40	SNAP RING	27-381-5	27-381-5
41	C/S DRIVE GEAR (44T)	49-1-1	49-1-1
42	SNAP RING	40-381-3	40-381-3
43	BEARING CONE	550964	550964
44	BEARING CUP	550965	550965
45	SHAFT	40-60-1	40-60-1
46	THRUST WASHER	974W	974W
47	BEARING	550886	WJ162116
48	SPACER	97-37-1	97-37-1
49	REVERSE IDLER GEAR (19T)	49-5-1	49-5-1
50	BEARING	550886	WJ162116
51	THRUST WASHER	974W	974W
N/A	NUT (501200)	263-90	222960
N/A	GASKET KIT	312475-40X	312475-40XR
N/A	SMALL PARTS KIT	313024-17X	313024-17XSR

# SPICER<sup>®</sup> TYPE CM50, 5000 SERIES



# SPICER® TYPE CM50, 5000 SERIES

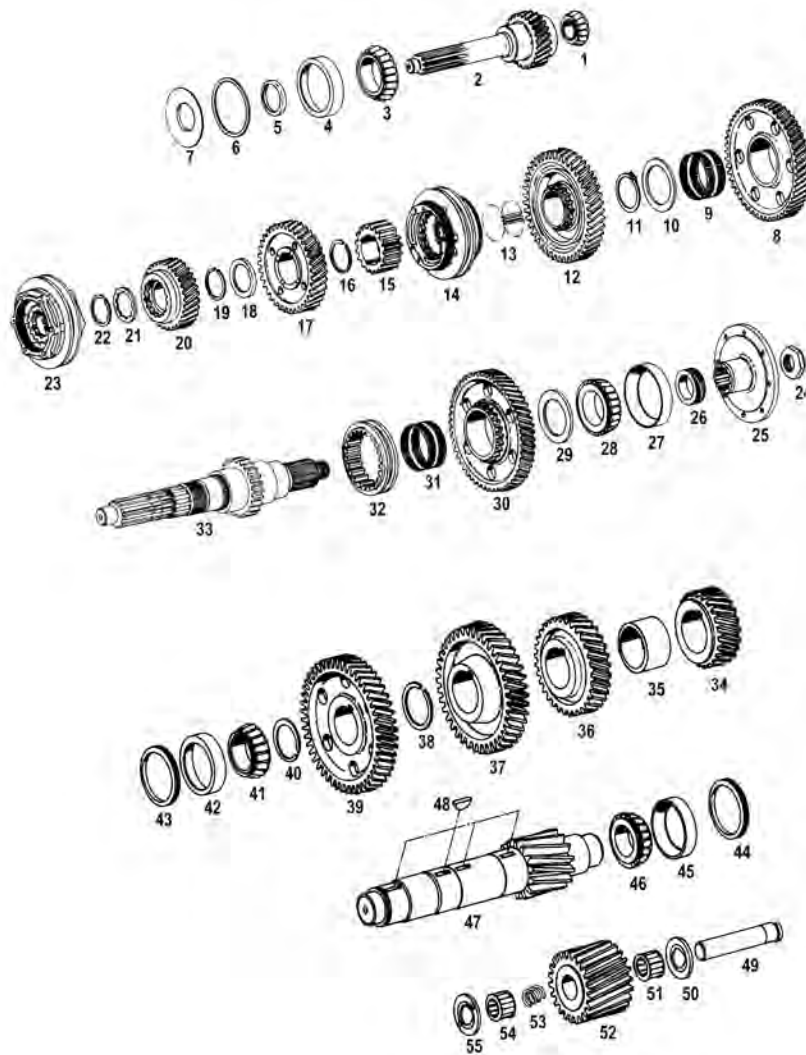
FIGURE	DESCRIPTION	OEM REF #	WORLD AMERICAN™ #
1	BEARING	550931	550931
2	MAIN DRIVE GEAR	46-35-36 (22T)	46-35-36 (22T)
	MAIN DRIVE GEAR (23T) - 1.5"	46-35-84	46-35-84
	MAIN DRIVE GEAR (24T) - 1.5" - 47-35-3-1X	47-35-32	47-35-32
	MAIN DRIVE GEAR (23T) - 1.5" - 47-35-1-1X / 47-35-30-1X	53-35-1	53-35-1
	MAIN DRIVE GEAR (24T) - 1.75" - 47-35-42-1X / 47-35-18-1X	53-35-14	53-35-14
	MAIN DRIVE GEAR (24T) - 1.5" - 47-35-43-1X / 47-35-19-1X	53-35-15	53-35-15
	MAIN DRIVE GEAR (24T) - 1.5" - 47-35-21-1X / 47-35-28-1X	53-35-19	53-35-19
	MAIN DRIVE GEAR (23T) - 1.75" - 47-35-37-1X / 47-35-12-1X	53-35-2	53-35-2
	MAIN DRIVE GEAR (23T) - 1.5" - 47-35-20-1X / 47-35-27-1X	53-35-9	53-35-9
3	BEARING	550930	550930
4	BEARING	550929	550929
5	OIL BAFFLE	47-468-2	47-468-2
7	OIL BAFFLE	47-468-1	47-468-1
8	M/S 1ST & REV. SLIDING	46-8-37	46-8-37R
	M/S 1ST & REV. SLIDING	47-8-1	47-8-1
9	BEARING	550932	550932
10	WASHER	330866	330866
11	SNAP RING	27-381-5	27-381-5
12	M/S 2ND GEAR (46T) 5852, 5852B, 5853, 5853A	46-8-26	46-8-26
	M/S 2ND GEAR (45T)	46-8-31	46-8-31R
	M/S 2ND GEAR (47T) 5652A, 5652B	46-8-41	46-8-41
	M/S 2ND GEAR (45T) 5052A, 5052D, 5252A	47-8-3	47-8-3
	M/S 2ND GEAR (47T) 5052B, 5052C	47-8-6	47-8-6
13	SPACER N.R BEARING	47-37-5	59-482-1-1X
14	2/3 SYNCHRONIZER	8072X	8072XR
15	CLUTCH 2ND & 3RD	46-466-9	46-466-9
16	SNAP RING	46-381-1	46-381-1
17	M/S 3RD GEAR (37/18T) 5652, 5752, 5853, 5853B	46-8-19	46-8-19
	M/S 3RD GEAR (40/18T) 5652A, 5852B	46-8-35	46-8-35R
	M/S 3RD GEAR (37/18T) 5052A	46-8-82	46-8-82
	M/S 3RD GEAR (38/18T) 5052C	46-8-87	46-8-87R
	M/S 3RD GEAR (35/18T) 5052D, 5252A	46-8-93	46-8-93R
	M/S 3RD GEAR (40/18T) 5052B	46-8-95	46-8-95
18	THRUST WASHER	330818	330818
19	SNAP RING W/ THRUST WASHER	46-381-2	46-381-2
20	M/S 4TH GEAR (31/15T) 5652A, 5752, 5752A	46-8-39	46-8-39
	M/S 4TH GEAR (29/15T) FOR 5052A, 5052C	46-8-84	46-8-84
	M/S 4TH GEAR (31/15T) FOR 5052B	46-8-89	46-8-89
	M/S 4TH GEAR (27/15T) FOR 5052D, 5252A	46-8-96	46-8-96R
21	THRUST WASHER	1016W	1016W
22	SNAP RING	46-381-2	46-381-2
23	4/5 SYNCHRONIZER	312764X	312764XR
24	NUT (501200 OR 500729)	263-90	263-90
27	BEARING	550929	550929
28	BEARING	550930	550930
29	WASHER	330867	330867
30	REVERSE GEAR (52T)	47-8-5	47-8-5R
31	BEARING	550932	F81205
32	M/S COLLAR 1ST & REV	47-465-1	47-465-1
33	MAINSHAFT - 5000 SERIES	46-362-20	46-362-20
	MAINSHAFT (USE BUSHING) - 5000 SERIES	46-362-21	46-362-21
	MAINSHAFT - ONLY CM50	47-362-1	47-362-1
34	M/S KEY	47-210-1	47-210-1
35	C/S 2ND GEAR (24T) 5652, 5752, 5752A, 5752C, 5753	46-196-11	46-196-11R
	C/S 2ND GEAR (22T) 5652A, 5652B	46-196-37	46-196-37
36	SPACER	46-37-5	46-37-5
37	C/S 3RD GEAR (32T) 5652, 5752, 5853, 5853B	46-196-13	46-196-13
	C/S 3RD GEAR (34T) 5752A, 5752C, 5753, 5753A	46-196-17	46-196-17
	C/S 3RD GEAR (31T) 5652B, 5852, 5852A	46-196-21	46-196-21
	C/S 3RD GEAR (30T) 5652A, 5852B	46-196-29	46-196-29
38	C/S 4TH GEAR (39T) 5652A, 5752, 5752A	46-196-35	46-196-35
	C/S 4TH GEAR (41T) 5652, 5652B	46-196-38	46-196-38
	C/S 4TH GEAR (43T) 5756B	46-196-40	46-196-40R
39	SNAP RING	82-381-1	82-381-1
40	C/S DRIVE GEAR (47T) -5652,5652A,5652B	46-1-20	46-1-20
	C/S DRIVE GEAR (47T) -5052 A, B, C, D	47-1-1	47-1-1R
	C/S DRIVE GEAR (45T) -5052ABC,55HD	47-1-3	47-1-3

# SPICER<sup>®</sup> TYPE CM-50, 5000 SERIES (cont'd)

FIGURE	DESCRIPTION	OEM REF #	WORLD AMERICAN <sup>™</sup> #
41	SNAP RING	46-381-1	46-391-1
42	BEARING	550927	25584
43	BEARING	550375	550375
44	SPACER	47-37-3	47-37-3
45	BEARING	550375	550375
46	BEARING	550927	25584
47	COUNTERSHAFT (W/ SNAP RING) 5000 SERIES	46-30-12	46-30-12
	COUNTERSHAFT (W/ SNAP RING) ONLY CM50	47-30-1	47-30-1
48	C/S KEY	500008-37	500008-37
49	REV. SHAFT	46-60-2	46-60-2
	REV. SHAFT	63-60-1	63-60-1
50	THRUST WASHER	974W	974W
51	BEARING	550886	WJ162116
52	REVERSE GEAR	47-5-1	47-5-1
53	SPACER	97-37-1	97-37-1
54	BEARING	550886	WJ162116
55	THRUST WASHER	974W	974W
N/A	GASKET KIT	312475-4X	312475-4X
N/A	SMALL PARTS KIT	312477-4X	312477-4X
N/A	M.D GEAR KIT	313240-3X	313240-3X
N/A	BUSHING W/ MAINSHAFT 46-362-20	46-37-6	46-37-6
N/A	M/S KEY	500010-2	500010-2
N/A	COTTER PIN 5756B, 5853A, 5853C	500024-13	500024-13



# SPICER® TYPE CM55



# SPICER® TYPE CM55

FIGURE	DESCRIPTION	OEM REF #	WORLD AMERICAN™ #
1	BEARING	550931	2580T
2	MAIN DRIVE GEAR (23T) - 1.5" - FOR 5552	53-35-1	53-35-1
	MAIN DRIVE GEAR (24T) - 1.75" - FOR 5852	53-35-14	53-35-14
	MAIN DRIVE GEAR (24T) - 1.5" - FOR 5852	53-35-15	53-35-15-1XR
	MAIN DRIVE GEAR (24T) - 1.5" - FOR 5852	53-35-19	53-35-19-1XR
	MAIN DRIVE GEAR (23T) - 1.75" - FOR 5552	53-35-2	53-35-2-1XR
	MAIN DRIVE GEAR (24T) - 1.5" - FOR 5852	53-35-20	53-35-20-1X
	MAIN DRIVE GEAR (23T) - 1.75" - FOR 5552	53-35-3	53-35-3-1XR
	MAIN DRIVE GEAR (23T) - 1.5" - FOR 5552	53-35-9	53-35-1XR
3	BEARING	550930	550930
4	BEARING CUP	550929	550929
5	BAFFLE	47-468-2	47-468-2
6	SPACER / SHIM	47-228-2-2	47-228-2-2
7	BAFFLE	47-468-1	47-468-1
8	M/S 1ST GEAR (42T)	53-8-9	53-8-9R

# SPICER® TYPE CM55

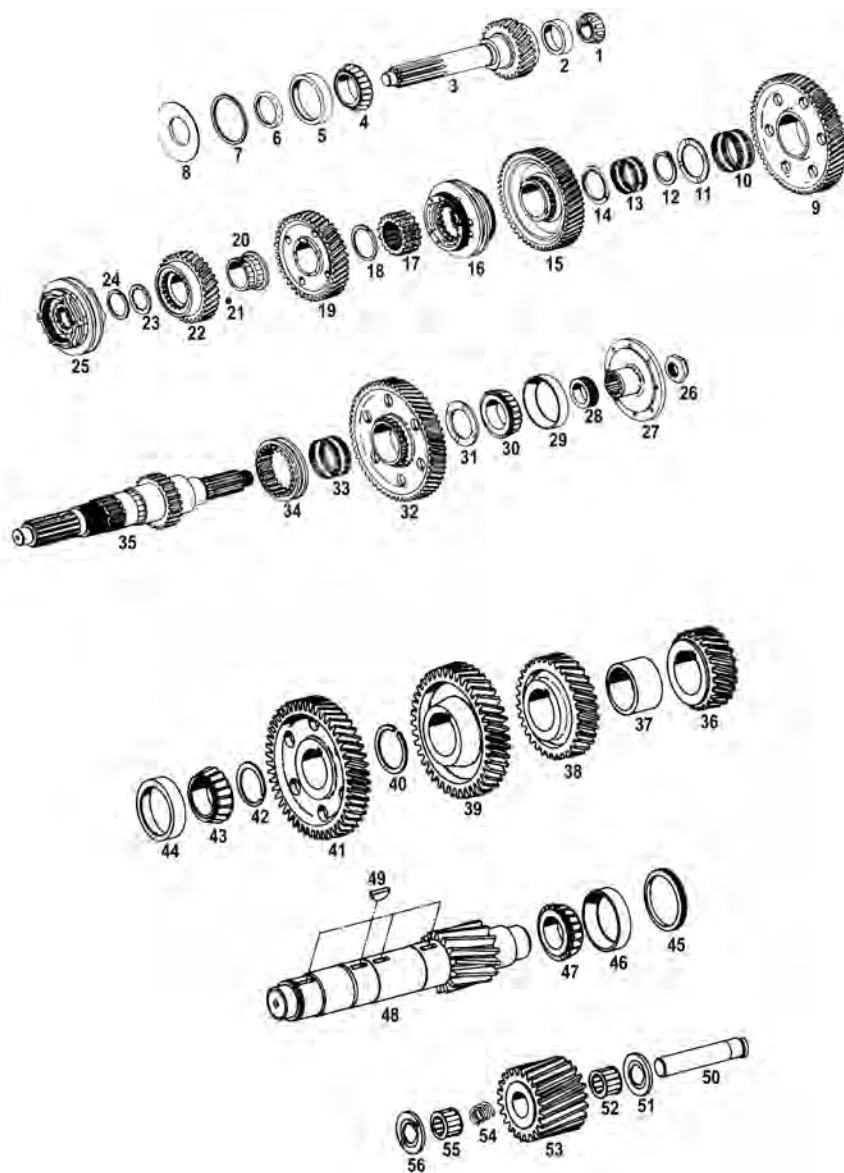
FIGURE	DESCRIPTION	OEM REF #	WORLD AMERICAN™ #
9	BEARING	550932	F81205
10	THRUST WASHER	330866	330866
11	SNAP RING	27-381-5	27-381-5
12	M/S 2ND GEAR (36T) 5552A, 5552D, 5852A B/S 2741653	53-8-10	53-8-10R
	M/S 2ND GEAR (36T) 5552A, 5552D, 5852A A/S 2741643	53-8-24	53-8-24
13	NEEDLE ROLLER KIT	59-482-1	59-482-1
14	3/4 SYNCHRONIZER (18T)	313459X	313459X
	2/3 SYNCHRONIZER (40T)	313536X	313536X
15	SYNCHRO HUB 2ND & 3RD	53-466-1	53-466-1
	SYNCHRO HUB 2ND & 3RD	59-466-3	59-466-3
16	SNAP RING	46-381-1	46-381-1
17	M/S 3RD GEAR (35T) 5552D, 5852A B/S 2741653	53-8-14	53-8-14
	M/S 3RD GEAR (37T) 5552A B/S 2741653	53-8-16	53-8-16
	M/S 3RD GEAR (38T) 5552C B/S 2741653	53-8-18	53-8-18
	M/S 3RD GEAR (35T) 5552D, 5852A A/S 2741653	53-8-26	53-8-26R
	M/S 3RD GEAR (37T) 5552A A/S 2741653	53-8-28	53-8-28R
18	THRUST WASHER	330818	330818
19	SNAP RING	53-381-2	53-381-2
20	M/S 4TH GEAR (27T) 5552D, 5852A	53-8-21	53-8-21
	M/S 4TH GEAR (29T) 5552A, 5552C	53-8-22	53-8-22
21	THRUST WASHER	1016W	1016W
22	SNAP RING	53-381-2	53-381-2
23	4/5 SYNCHRONIZER	313453X	313453XR
	4/5 SYNCHRONIZER	313535X	313535X
24	NUT (501200) - 222960	263-90	222960
27	BEARING CUP	550929	550929
28	BEARING	550930	550930
29	THRUST WASHER	330867	330867
30	M/S REVERSE GEAR (42T)	53-8-1	53-8-1R
31	BEARING	550932	F81205
32	CLUTCH COLLAR	47-465-1	47-465-1
33	MAIN SHAFT - 2.00" - 40 SPLINES	53-362-3	53-362-3R
34	C/S 2ND GEAR (18T) 5552B, C	53-196-1	53-196-1
	C/S 2ND GEAR (19T) 5552A, 5552D, 5852A	53-196-3	53-196-3R
35	BUSHING	46-37-5	46-37-5
36	C/S 3RD GEAR (32T) 5552A	46-196-13	46-196-13
	C/S 3RD GEAR (34T) 5552D, 5852A	46-196-17	46-196-17
	C/S 3RD GEAR (31T) 5552C	46-196-21	46-196-21
	C/S 3RD GEAR (30T) 5552B	46-196-29	46-196-29
37	C/S 4TH GEAR (39T) 5552B	46-196-35	46-196-35
	C/S 4TH GEAR (41T) 5552A, 5552C	46-196-38	46-196-38R
	C/S 4TH GEAR (43T) 5552D, 5852A	46-196-40	46-196-40R
38	SNAP RING	82-381-1	82-381-1
39	C/S DRIVE GEAR (47T) 5552A, 5552B, 5552C, 5552D	47-1-1	47-1-1R
	C/S DRIVE GEAR (45T) 5852A	47-1-3	47-1-3
40	SNAP RING	46-381-1	46-381-1
41	BEARING	550927	25584
42	BEARING CUP	550375	550375
43	SPACER	47-37-3	47-37-3
44	SHIM - .005" THICK	47-228-3	47-228-3
45	BEARING CUP	550375	550375
46	COUNTERSHAFT (12T)	550927	25584

# SPICER<sup>®</sup> TYPE CM55

FIGURE	DESCRIPTION	OEM REF #	WORLD AMERICAN <sup>™</sup> #
47	BEARING	53-30-3	53-30-3
48	C/S KEY	50008-37	SP50008-37
49	SHAFT	63-60-1	63-60-1
50	THRUST WASHER	974W	974W
51	BEARING	550886	550886
52	REVERSE IDLER GEAR	59-5-1	59-5-1
53	SPACER	97-37-1	97-37-1
54	BEARING	550886	550886
55	THRUST WASHER	974W	974W
N/A	BEARING KIT - 313400-45X	180	T180R
N/A	SPACER KIT	3123240-3X	3123240-3X
N/A	GASKET KIT - 312475-28X	312475-28X	312475-28X
N/A	SMALL PARTS KIT - 313024-13X	313024-13X	313024-13X
N/A	WASHER	53-205-1	53-205-1



# SPICER® TYPE CM60, 6052, 6252, 6253, 6352



# SPICER® TYPE CM60, 6052, 6252, 6253, 6352

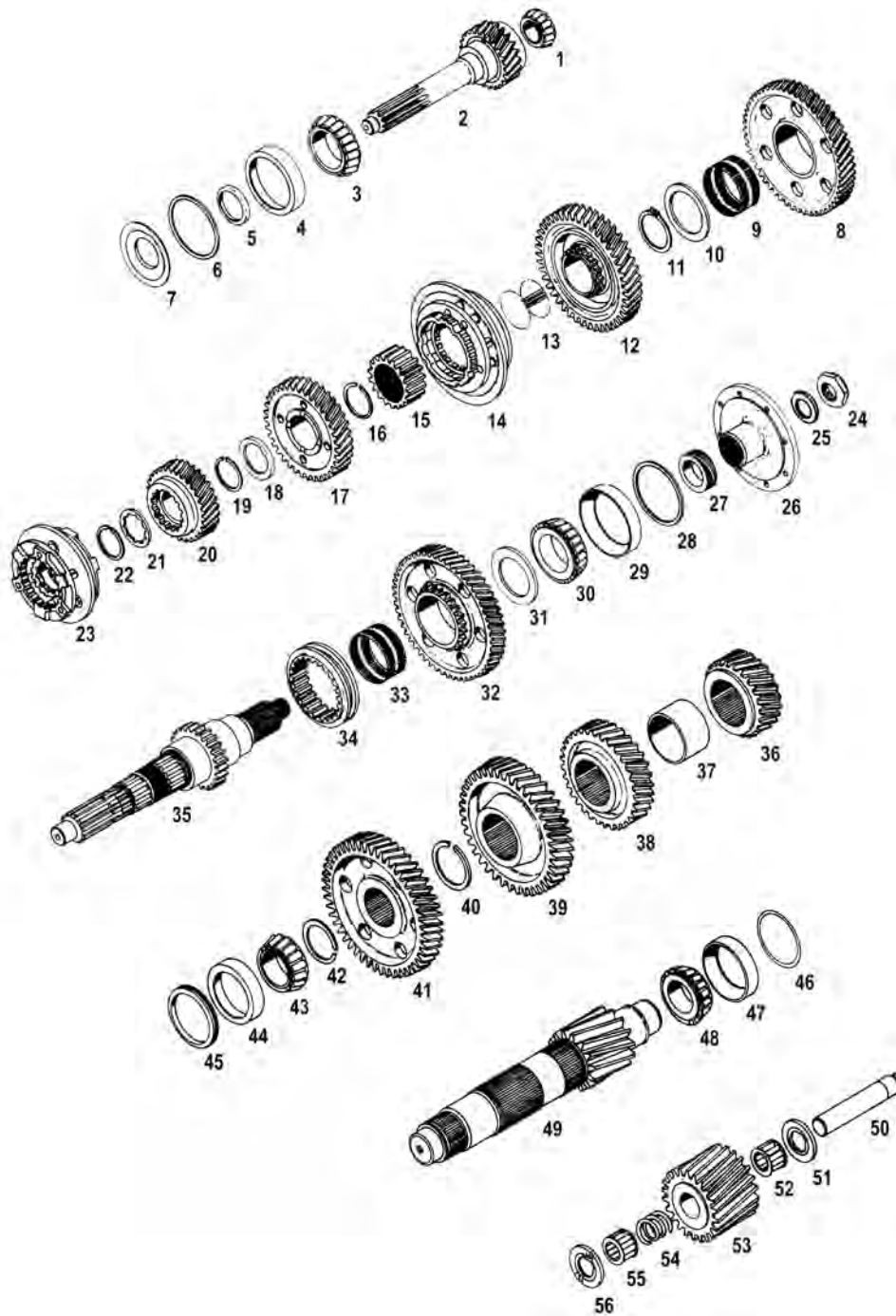
FIGURE	DESCRIPTION	OEM REF #	WORLD AMERICAN™ #
1	REPLACE 550183 - 6000 ONLY	310662X	310662X
	BEARING - CM-60	550183	550183
2	BEARING CUP - CM-60	550228	550228
3	MAIN DRIVE GEAR (25T) - 1.5" - 6000 SERIES	62-35-77	62-35-77
	MAIN DRIVE GEAR (25T) - 1.5" - 6000 SERIES	62-35-98	62-35-98
	MAIN DRIVE GEAR (24T) - 1.75" - CM60	63-35-34	63-35-34
	MAIN DRIVE GEAR (24T) - 1.5" - CM60	63-35-37	63-35-37
4	BEARING - CM60	550930	JM511946
5	BEARING CUP	550929	JM511910
6	BAFFLE - INCLUDED IN KIT 313240-3X	47-468-2	47-468-2
7	SPACER / SHIM - INCLUDED IN KIT 313240-3X	47-228-2-2	47-228-2-2
8	BAFFLE - INCLUDED IN KIT 313240-3X	47-468-1	47-468-1
	BEARING REPLACE (4,5,6,7,8) - 6000 ONLY	550046	550046
	S.RING REPLACE (4,5,6,7,8,) - 6000 ONLY	62-381-5	62-381-5
9	M/S 1ST GEAR (61T) - 6000 SERIES	62-8-36	62-8-36R
	M/S 1ST GEAR (57T) - CM-60	63-8-1	63-8-1
10	BEARING	550938	550938



# SPICER<sup>®</sup> TYPE CM60, 6052, 6252, 6253, 6352

FIGURE	DESCRIPTION	OEM REF #	WORLD AMERICAN™ #
11	THRUST WASHER	330884	330884
12	SNAP RING	63-381-1	63-381-1
13	BEARING	550983	550983
14	THRUST WASHER	63-47-1	63-47-1
15	M/S 2ND GEAR (47T) 6352E, 6354E, 6452A, N, S, 6453A	62-8-38	62-8-38
	M/S 2ND GEAR (46T) 6454C, 6852C, D, E, G, 6853C, D, E	62-8-64	62-8-64
	M/S 2ND GEAR (47T) 6052A, D B/S 2799647	63-8-4	63-8-4
16	2/3 SYNCHRONIZER	310227X	310227XR
17	CENTER HUB	62-466-14	62-466-14
18	SNAP RING	62-381-8	62-381-8
19	M/S 3RD GEAR (39T) 6052A, 6000 SERIES	62-8-40	62-8-40
	M/S 3RD GEAR (37T) 6052C, 6000 SERIES	62-8-43	62-8-43
20	BUSHING	62-37-29	62-37-29
21	PIN	425SP	425SP
22	M/S 4TH GEAR (30T) 6052A, 6352A, D, 6354A, 6852L	62-8-42	62-8-42
	M/S 4TH GEAR (28T) 6052C, D, 6352E, 6852G, 6854G	62-8-78	62-8-78
23	THRUST WASHER	1001W	1001W
24	SNAP RING	62-381-4	62-381-4
25	4/5 SYNCHRONIZER - 6052A, B, C, D, 6253B	312766X	312766X
26	NUT	500898	500898
27	FLANGE YOKE	N/A	N/A
28	SPEEDOMETER	N/A	N/A
29	BEARING	550612	550612
30	BEARING CUP	550929	JM511910
31	THRUST WASHER	330871	330871
32	M/S REVERSE GEAR (57T) - ALL 6000	63-8-3	63-8-3
33	BEARING	550938	550938
34	CLUTCH COLLAR	63-465-4	63-465-4
35	MAIN SHAFT - 6000 SERIES	62-362-26	62-362-26
36	C/S 2ND GEAR (21T) - 6352A, C, D, 6354A, C, D	62-196-14	62-196-14
	C/S 2ND GEAR (21T) - 6052B, 6252B, 6253B	63-196-14	63-196-14
37	BUSHING - CM60	62-37-35	62-37-35
	BUSHING - 6000 SERIES	97-37-1	97-37-1
38	C/S 3RD GEAR (29T) - 6052B, 6352B, 6354B	62-196-54	62-196-54
39	C/S 4TH GEAR (38T) - 6052B, 6352B, C, 6354B, C, 6852B	62-196-15	62-196-15
40	S.RING - 6000 SERIES ONLY	62-381-6	62-381-6
	SPACER / SHIM - CM60	63-37-1	63-37-1
41	C/S DRIVE GEAR (46T) 6052A, B, D	63-1-1	63-1-1
	C/S DRIVE GEAR (44T) 6252C	63-1-3	63-1-3
42	SNAP RING - CM60	70-381-6	70-381-6
43	BEARING - CM60	550934	550934
44	BEARING CUP - CM60	550933	550933
	BEARING REPLACE (42, 43, 44) - 6000 SERIES	550520	550520
	S.RING REPLACE (42, 43, 44) - 6000 SERIES	62-381-9	62-381-9
45	USE SHIM KIT - CM60	313439X	313439X
46	BEARING CUP - CM60	550935	550935
47	BEARING	550936	550936
	BEARING REPLACE (45, 46, 47) - 6000 SERIES	550059	M1208EL
	NUT RELACE (45, 46, 47) - 6000 SERIES	454-J	454-J
	COTTER PIN REPLACE SAME - 6000 SERIES	500024-13	500024-13
48	COUNTERSHAFT (311450X) - 6000 SERIES	62-30-17	62-30-17
	COUNTERSHAFT - CM60	63-30-1	63-30-1
49	C/S KEY	500010-8	500010-8
50	SHAFT	63-60-1	63-60-1
51	THRUST WASHER	974W	974W
52	BEARING	550886	WJ162116
53	REVERSE IDLER GEAR	63-5-1	63-5-1
54	SPRING	97-37-1	97-37-1
55	BEARING	550886	550886
56	THRUST WASHER	974W	974W
N/A	BEARING KIT	312475-29X	313432-20X
N/A	SMALL PARTS KIT	312477-36X	312477-36X
N/A	BAFFLE & SHIM KIT	313240-3X	313240-3X
N/A	GASKET KIT	313432-20X	312475-29X

# SPICER® TYPE ES60-5



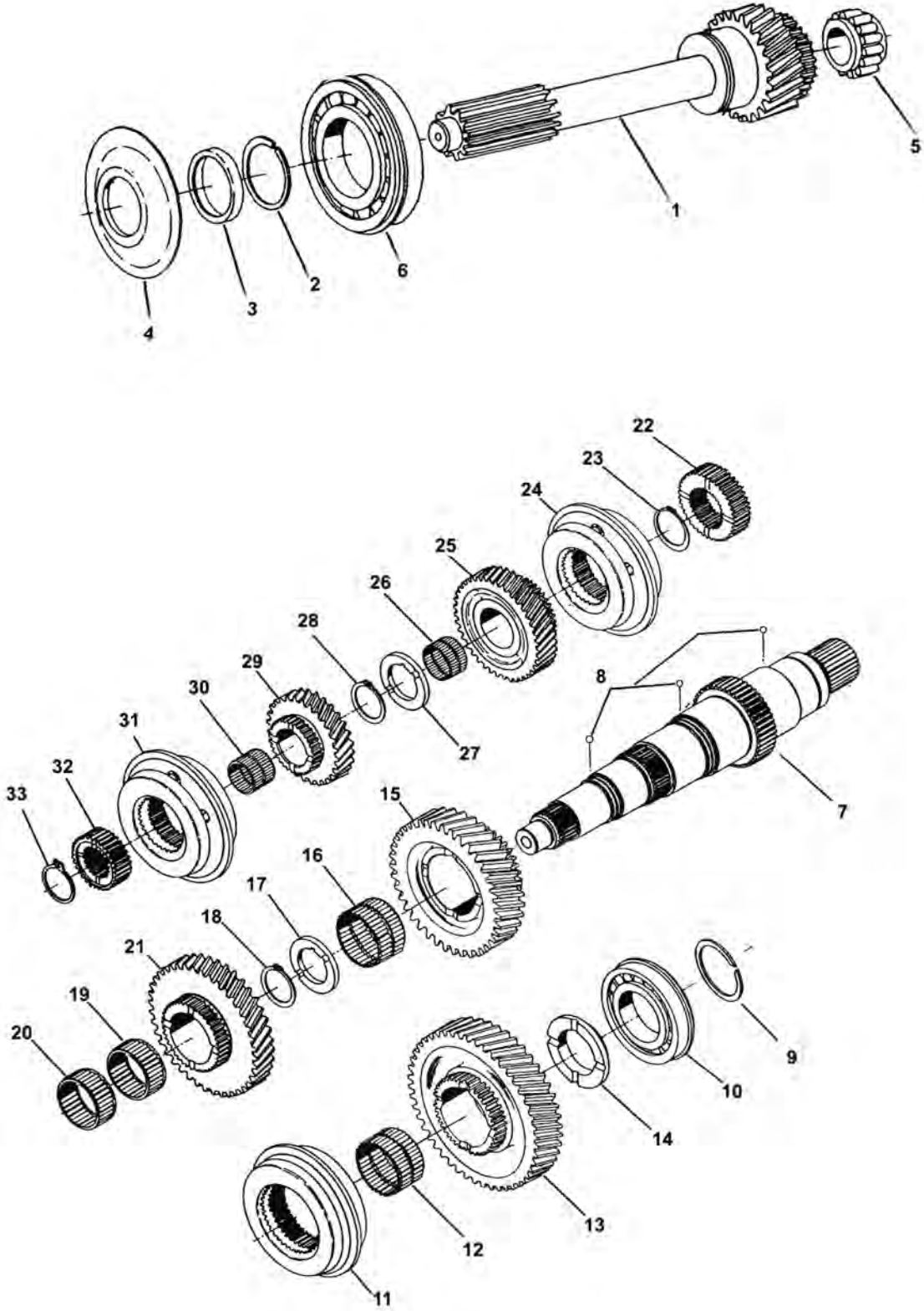
# SPICER® TYPE ES60-5

FIGURE	DESCRIPTION	OEM REF #	WORLD AMERICAN™ #
1	BEARING	550931	2580
2	MAIN DRIVE GEAR (21T) - 1.5"	59-35-3	59-35-3-1XR
3	BEARING CUP	550930	JM511946
4	BEARING	550929	JM511910
5	BAFFLE	47-468-2	47-468-2
6	SPACER / SHIM	47-228-2-2	47-228-2-2
7	BAFFLE	47-468-1	47-468-1

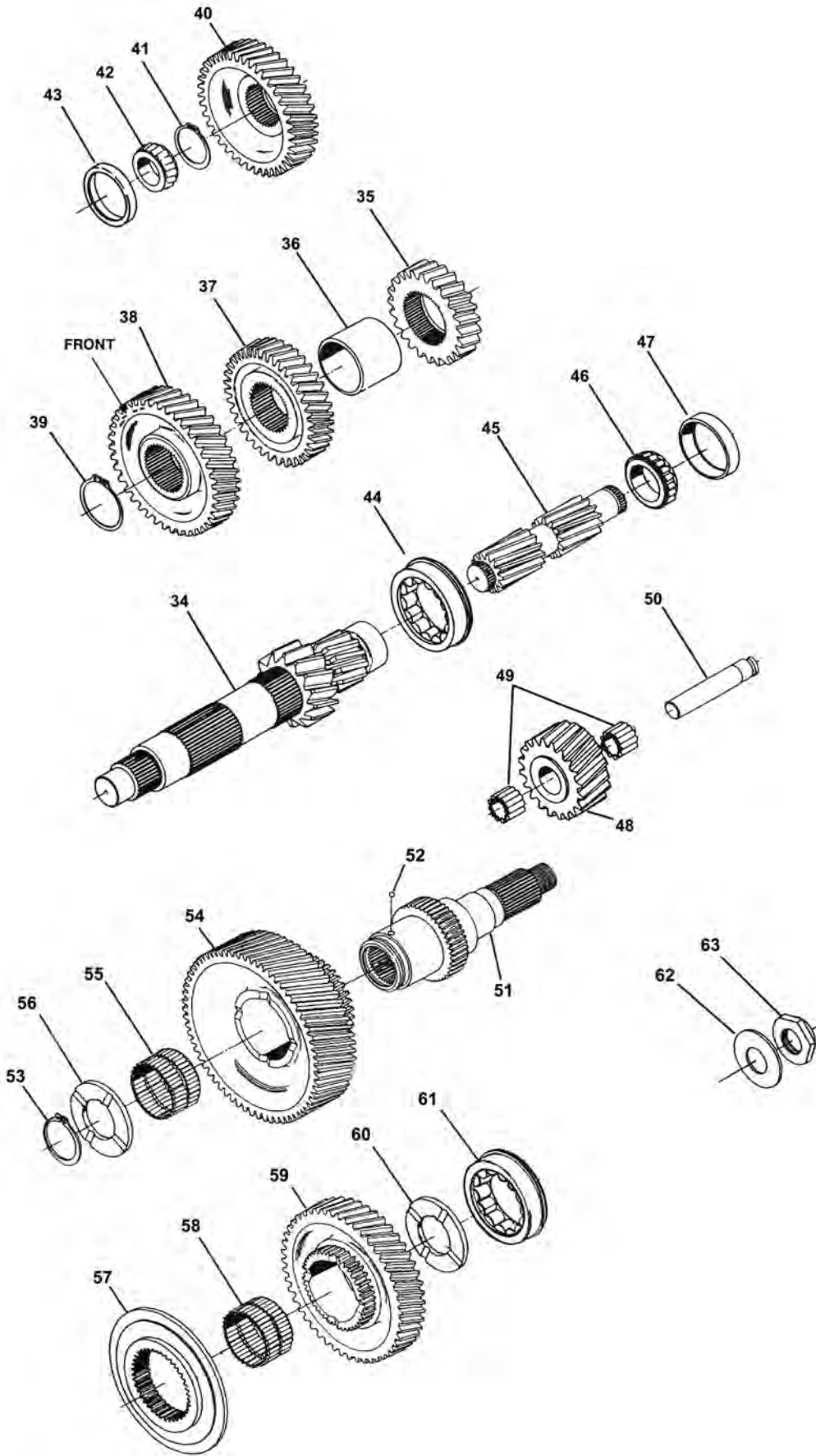
# SPICER<sup>®</sup> TYPE ES60-5

FIGURE	DESCRIPTION	OEM REF #	WORLD AMERICAN™ #
8	M/S 1ST GEAR (42T)	59-8-10	59-8-10
9	BEARING	550932	F81205
10	THRUST WASHER	330866	330866
11	SNAP RING	27-381-5	27-381-5
12	M/S 2ND GEAR (36T) ES60-5A, 5D, 5E, 5952A, D, E	59-8-8	59-8-8
	M/S 2ND GEAR (37T) ES60-5C, 5952C	59-8-9	59-8-9
13	NEEDLE ROLLER KIT	59-482-1	59-482-1-1X
14	2/3 SYNCHRONIZER (18T)	313536X	313536X
15	2/3 SYNCHRONIZER HUB	59-466-3	59-466-3R
16	SNAP RING	46-381-1	46-381-1
17	M/S 3RD GEAR (33T) ES60-5D, 5E, 5952D, E	59-8-4	59-8-4
	M/S 3RD GEAR (35T) ES6-5A, 5952A	59-8-5	59-8-5
	M/S 3RD GEAR (31T) ES60-5C, 5952C	59-8-7	59-8-7
18	THRUST WASHER	330818	330818
19	SNAP RING	53-381-2	53-381-2
20	M/S 4TH GEAR (27T) ES60-5D, 5E, 5952D, E	59-8-1	59-8-1
	M/S 4TH GEAR (29T) ES60-5A, 5C, 5952A, C	59-8-2	59-8-2
21	THRUST WASHER	1016W	1016W
22	SNAP RING	53-381-2	53-381-2
23	4/5 SYNCHRONIZER (31/10T)	313535X	313535X
24	NUT (501200) - 222960	263-90	222960
25	WASHER	53-205-1	53-205-1
28	SPACER KIT	313240-3X	313240-3X
29	BEARING CUP	550929	JM511940
30	BEARING	550930	JM511946
31	THRUST WASHER	330867	330867
32	M/S REVERSE GEAR (42T)	53-8-1	53-8-1R
33	BEARING	550932	F81205
34	CLUTCH COLLAR	47-465-1	47-465-1
35	MAIN SHAFT	53-362-3	53-362-3R
36	C/S 2ND GEAR (19T) ES60-5A, 5D, 5E, 5952A, D, E	59-196-8	59-196-8
36	C/S 2ND GEAR (18T) ES60-5C, 5952C	59-196-9	59-196-9
37	SPACER	59-37-1	59-37-1
38	C/S 3RD GEAR (32T) ES50-5D, 5E, 5952D, E	59-196-4	59-196-4
	C/S 3RD GEAR (30T) ES60-5A, 5952A	59-196-5	59-196-5
	C/S 3RD GEAR (25T) ES60-5C, 5952C	59-196-7	59-196-7
39	C/S 4TH GEAR (43T) ES60-5D, 5E, 5952D, E	59-196-1	59-196-1
	C/S 4TH GEAR (41T) ES60-5A, 5C, 5952A, C	59-196-2	59-196-2
40	SNAP RING	59-381-2	59-381-2
41	C/S DRIVE GEAR (43T) ES60-5E, 5952E	59-1-1	59-1-1
	C/S DRIVE GEAR (43T) ES60-5A, 5C, 5D, 5952A, C, D	59-1-2	59-1-2
42	SNAP RING	59-381-1	59-381-1
43	BEARING	550927	25584
44	BEARING CUP	550375	550375
45	BUSHING	47-37-3	47-37-3
46	SHIM KIT	313438X	313438X
47	BEARING CUP	550375	550375
48	BEARING	550927	25584
49	COUNTERSHAFT	59-30-3	59-30-3
50	SHAFT	63-60-1	63-60-1
51	THRUST WASHER	974W	974W
52	BEARING	550886	WJ162116
53	REVERSE IDLER GEAR (17T)	59-5-1	59-5-1
54	SPACER SPRING	97-37-1	97-37-1
55	BEARING	550886	WJ162116
56	THRUST WASHER	974W	974W
N/A	GASKET KIT	312475-28X	312475-28X
N/A	SMALL PARTS KIT	313024-18X	313024-18X
N/A	BEARING KIT	313400-68X	313400-68X

# SPICER® TYPE ES52-7B/ESO66-7B



# SPICER® TYPE ES52-7B/ESO66-7B



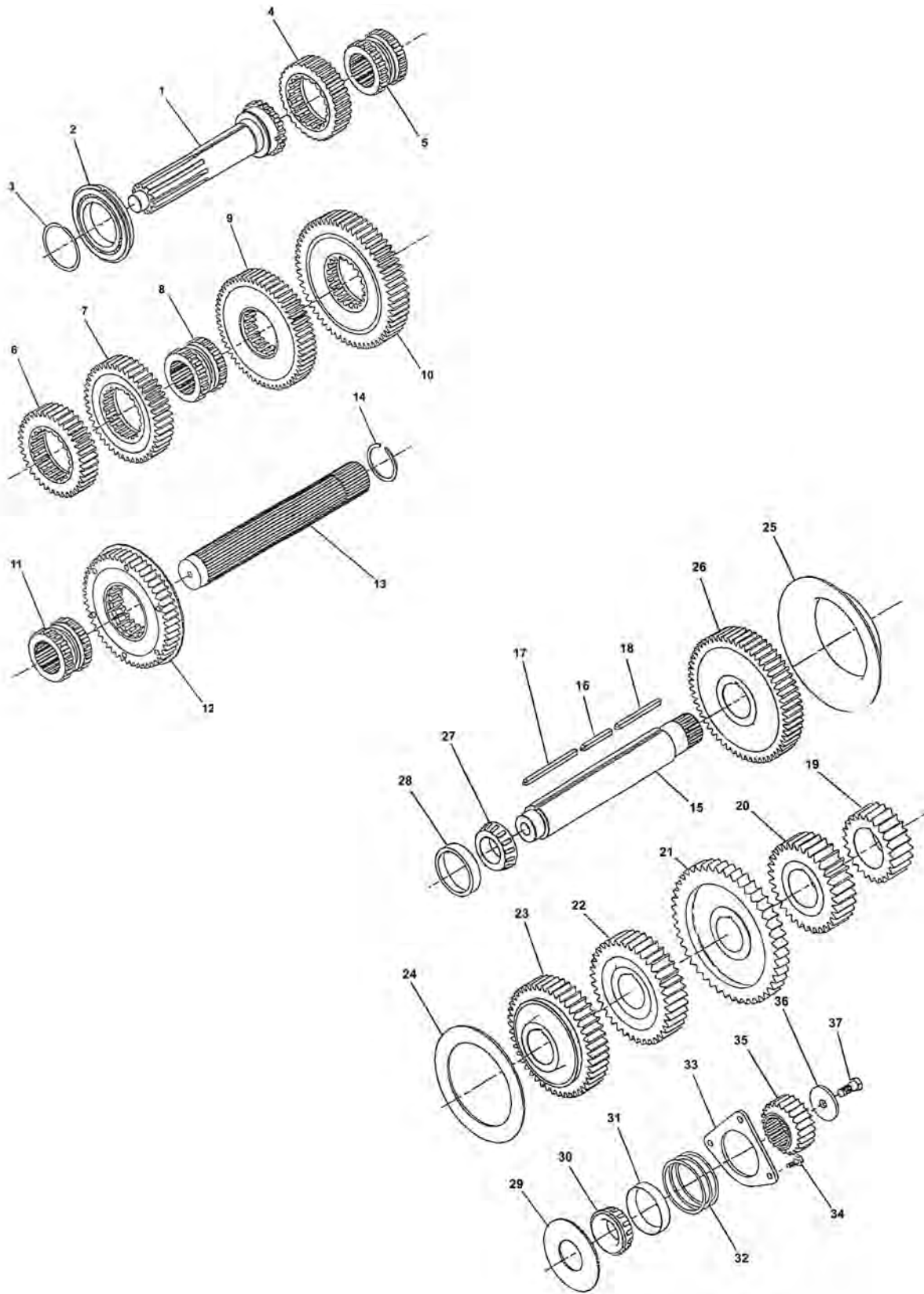
# SPICER<sup>®</sup> TYPE ES52-7B/ESO66-7B

FIGURE	OEM REF #	WORLD AMERICAN™ #	DESCRIPTION
1	101-35-4-1X	101-35-4-1X	DRIVE GEAR - 25T, 9.89", 1.750" - 10 Spl .9837"
2	82-381-2	82-381-2	SNAP RING
3	101-468-2	101-468-2	OIL RIN
4	101-468-1	101-468-1	BAFFLE - OIL
5	550986	550986	BEARING - MAINSHAFT POCKET
6	101-482-1	101-482-1	BEARING - DRIVE GEAR
7	101-362-7-1X	101-362-7-1X	MAINSHAFT SUB-ASSEMBLY
	101-362-6-1X	101-362-6-1X	MAINSHAFT SUB-ASSEMBLY
8	500566-5	500566-5	BALL - MAINSHAFT THRUST WASHER
9	82-381-2	82-381-2	SNAP RING - COUNTERSHAFT DRIVE GEAR
10	101-482-1	101-482-1	BEARING - INTERMEDIATE SHAFT
11	101-464-3X	F208323	SYNCHRONIZER - 2ND & 3RD MAINSHAFT
	313777X	313777X	SYNCHRONIZER - 2ND & 3RD MAINSHAFT
12	550991	550991	BEARING - 2ND SPEED NEEDLE
13	101-8-26	101-8-26	GEAR - 2ND SPEED MAINSHAFT (35T)
14	101-47-6	101-47-6	WASHER - 2ND SPEED THRUST
15	101-8-28	101-8-28	GEAR - 3RD SPEED MAINSHAFT (29T)
	101-8-10	101-8-10	GEAR - 3RD SPEED MAINSHAFT (29T)
16	550991	F208323	BEARING - 3RD SPEED NEEDLE
17	101-47-2	101-47-2	WASHER - 3RD & 4TH SPEED THRUST
18	101-381-2	101-381-2	SNAP RING - 3RD & 4TH SPEED THRUST WASHER
19	551005	551005	BEARING - 4TH SPEED NEEDLE
20	551006	551006	BEARING - 4TH SPEED NEEDLE
21	101-8-25	101-8-25	GEAR - 4TH SPEED MAINSHAFT (30T)
	101-8-8	101-8-8	GEAR - 4TH SPEED MAINSHAFT (30T)
22	101-466-7	101-466-7	GEAR - 4TH & 5TH MAINSHAFT CLUTCH
	101-466-4	101-466-4	GEAR - 4TH & 5TH MAINSHAFT CLUTCH
23	40-381-4	40-381-4	SNAP RING - 4TH & 5TH CLUTCH GEAR
24	101-464-2X	101-464-2X	SYNCHRONIZER - 4TH & 5TH MAINSHAFT
	313776X	313776XR	SYNCHRONIZER - 4TH & 5TH MAINSHAFT
25	101-8-24	101-8-24	GEAR - 5TH SPEED MAINSHAFT (30T)
	101-8-6	101-8-6	GEAR - 5TH SPEED MAINSHAFT (30T)
26	551004	K55X63X20	BEARING - 5TH SPEED NEEDLE
27	101-47-1	101-47-1	WASHER - 5TH & 6TH SPEED THRUST
28	101-381-1	101-381-1	SNAP RING - 5TH & 6TH SPEED THRUST WASHER
29	101-8-23	101-8-23	GEAR - 6TH SPEED MAINSHAFT ES52-7B (25T)
	101-8-2	101-8-2	GEAR - 6TH SPEED MAINSHAFT ES52-7B (25T)
	101-8-22	101-8-22	GEAR - 7TH SPEED MAINSHAFT ESO66-7B (22T)
	101-8-21	101-8-21	GEAR - 7TH SPEED MAINSHAFT ESO66-7B (22T)
30	551003	K47X53X25A	BEARING - 6TH SPEED NEEDLE
31	101-464-1X	101-464-1X	SYNCHRONIZER - 6TH & 7TH MAINSHAFT
	313775X	313775XR	SYNCHRONIZER - 6TH & 7TH MAINSHAFT
32	49-466-4	49-466-4	GEAR - 6TH & 7TH MAINSHAFT CLUTCH
	101-466-2	101-466-2	GEAR - 6TH & 7TH MAINSHAFT CLUTCH
33	40-381-1	40-381-1	SNAP RING - 6TH & 7TH CLUTCH GEAR

# SPICER<sup>®</sup> TYPE ES52-7B/ESO66-7B

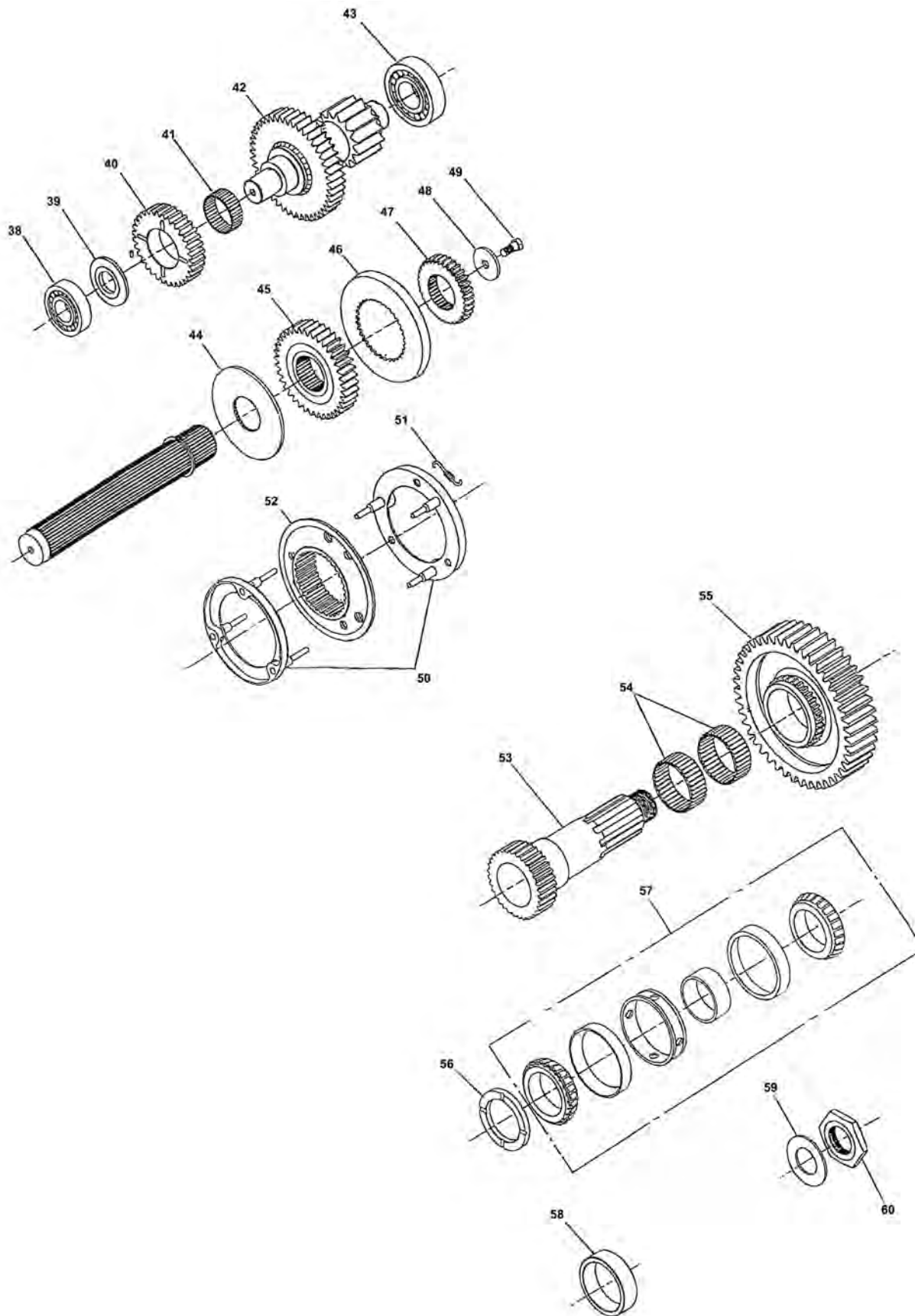
FIGURE	OEM REF #	WORLD AMERICAN™ #	DESCRIPTION
34	101-30-2-1X	101-30-2-1X	COUNTERSHAFT - FRONT (16T/12T)
35	101-196-8	101-196-8	GEAR - 4TH SPEED COUNTERSHAFT - FRONT (24T)
36	101-37-1	101-37-1	SPACER - 4TH & 5TH COUNTERSHAFT - FRONT
37	101-196-6	101-196-6	GEAR - 5TH SPEED COUNTERSHAFT - FRONT (34T)
38	101-196-2	101-196-2	GEAR - 6TH SPEED COUNTERSHAFT - FRONT (38T) ES52-7B
	101-196-9	101-196-9	GEAR - 6TH SPEED COUNTERSHAFT - FRONT (45T) ESO66-7B
39	27-381-5	27-381-5	RING - SNAP 6TH SPEED COUNTERSHAFT - FRONT
40	101-1-5	101-1-5	GEAR - HEAD END DRIVE COUNTERSHAFT - FRONT (45T) -ES52-7B
	101-1-4	101-1-4	GEAR - HEAD END DRIVE COUNTERSHAFT - FRONT (38T) -ESO66-7B
41	40-381-3	40-381-3	RING - SNAP COUNTERSHAFT HEAD END GEAR
42	550868	550868	BEARING - CONE COUNTERSHAFT - FRONT
43	550978	550978	BEARING - CUP COUNTERSHAFT FRONT
44	551007	551007	BEARING - INTERMEDIATE COUNTERSHAFT FRONT
45	101-30-4	101-30-4	COUNTERSHAFT - REAR (WITH PTO DRIVE) (13T/13T)
46	550868	550868	BEARING - CONE COUNTERSHAFT - REAR
47	550978	550978	BEARING - CUP COUNTERSHAFT - REAR
48	101-5-2	101-5-2	GEAR - REVERSE IDLER (31T)
49	550886	WJ162116	BEARING - REVERSE IDLER
50	63-60-1	63-60-1	SHAFT - REVERSE IDLER
51	101-362-5-1X	101-362-5-1X	MAINSHAFT SUB-ASSEMBLY
52	500566-5	500566-5	BALL - THRUST WASHER
53	101-381-4	101-381-4	RING - SNAP 1ST SPEED THRUST WASHER
54	101-8-14	101-8-14	GEAR - 1ST SPEED MAINSHAFT GEAR (64T)
55	550991	F208323	BEARING - 1ST SPEED NEEDLE
56	101-47-5	101-47-5	WASHER - 1ST SPEED THRUST
57	101-465-7	101-465-7	COLLAR - 1ST & REVERSE CLUTCH
58	550991	F208323	BEARING - REVERSE MAINSHAFT NEEDLE
59	101-8-16	101-8-16	GEAR - REVERSE MAINSHAFT - REAR (57T)
60	101-47-4	101-47-4	WASHER - THRUST REVERSE GEAR
61	550989	1211L	BEARING - MAINSHAFT REAR
62	53-205-1	53-205-1	WASHER - MAINSHAFT NUT - REAR
63	501200	501200	NUT - MAINSHAFT - REAR (1.250" -18)

# SPICER<sup>®</sup> TYPE PS125-9A & PSO140-9A





# SPICER<sup>®</sup> TYPE PS125-9A & PSO140-9A

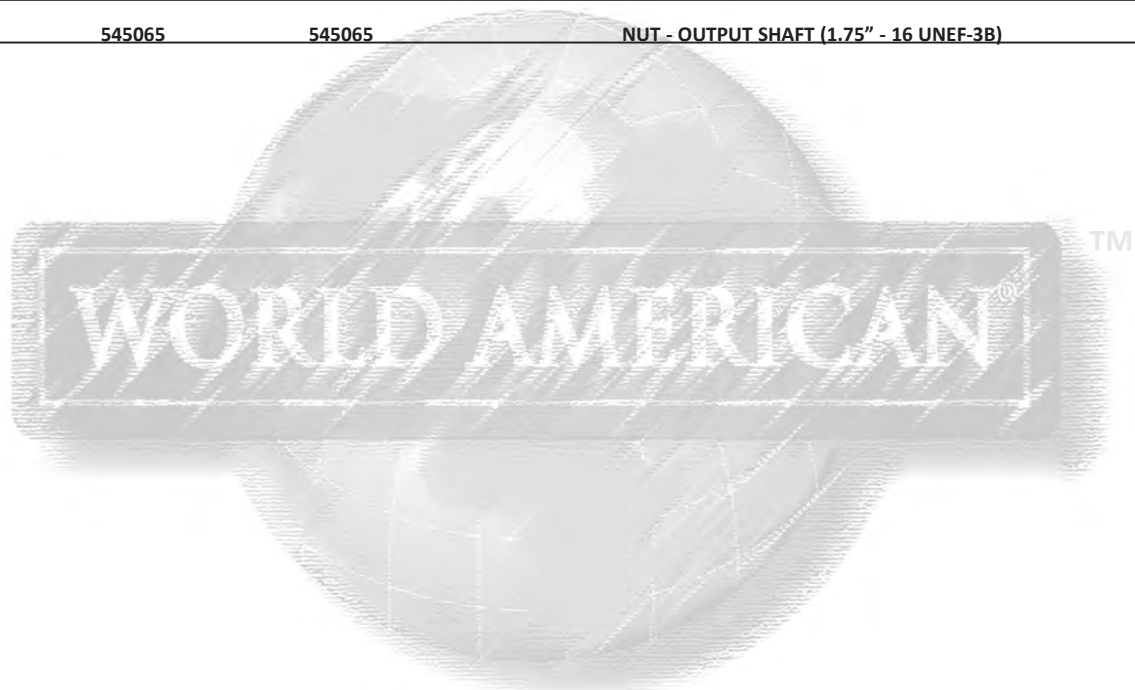


# SPICER® TYPE PS125-9A & PSO140-9A

FIGURE	OEM REF #	WORLD AMERICAN™ #	DESCRIPTION
1	201-35-2	201-35-2	SHAFT - INPUT (2.00" - 10 SPL. #306 (1.180" DIA.) PILOT
2	313645X	313645X	S/ASSY - BEARING & BELLEVILLE SNAP RING
3	201-381-1	201-381-1	SNAP RING - INPUT SHAFT
4	201-8-43	201-8-43	GEAR - DRIVE (5TH & 9TH) (40T) (FOR PS125-9A)
	201-8-2	1668533C1	GEAR - DRIVE (5TH & 9TH) (38T) (FOR PSO140-9A)
5	201-465-2	201-465-2R	COLLAR - M/S CLUTCH (4TH, 5TH, 8TH & 9TH) (FOR PS125-9A)
	201-465-5	201-465-5R	COLLAR - M/S CLUTCH (4TH, 5TH, 8TH & 9TH) (FOR PSO140-9A)
6	201-8-2	1668533C1	GEAR - MAINSHAFT (4TH & 8TH) (38T) (FOR PS125-9A)
	201-8-43	201-8-43	GEAR - MAINSHAFT (4TH & 8TH) (40T) (FOR PSO140-9A)
7	201-8-4	201-8-4R	GEAR - MAINSHAFT (3RD & 7TH) (44T)
8	302-465-2	302-465-2	COLLAR - M/S CLUTCH (2ND, 3RD, 6TH & 7TH)
9	201-8-37	201-8-37	GEAR - MAINSHAFT (2ND & 6TH) (58T)
10	201-8-35	201-8-35	GEAR - MAINSHAFT (1ST) (58T)
11	201-465-2	201-465-2R	COLLAR - M/S CLUTCH (1ST & REV.)
12	201-8-10-1X	201-8-10-1X	GEAR - MAINSHAFT REVERSE (INCLUDES THRUST RING & RIVETS)
13	201-362-1-1X	201-362-1-1X	MAINSHAFT
14	201-381-3	201-381-3	SNAP RING - MAINSHAFT DRIVE GEAR - RANGE
15	201-30-14	201-30-14	COUNTERSHAFT - MAIN
16	201-210-4-2	201-210-4-2	KEY - COUNTERSHAFT GEAR - MIDDLE
17	201-210-4-3	201-210-4-3	KEY - COUNTERSHAFT GEAR - FRONT
18	201-210-4-1	201-210-4-1	KEY - COUNTERSHAFT GEAR - REAR
19	201-196-31	201-196-31	GEAR - COUNTERSHAFT (1ST) (24T)
20	201-196-33	201-196-33	GEAR - COUNTERSHAFT (2ND & 6TH) (37T)
21	201-312-3	201-312-3	GEAR - COUNTERSHAFT PTO DRIVE
22	201-196-44	201-196-44	GEAR - COUNTERSHAFT (3RD & 7TH) (39T)
23	201-196-2	201-196-2R	GEAR - COUNTERSHAFT (4TH & 8TH) (46T) (FOR PS125-9A)
	201-196-35	201-196-35	GEAR - COUNTERSHAFT (4TH & 8TH) (65T) (FOR PSO140-9A)
24	201-47-2	201-47-2	RING - COUNTERSHAFT THRUST (FLAT)
25	201-47-5	201-47-5	RING - COUNTERSHAFT H.E. GEAR THRUST
26	201-196-35	201-196-35	GEAR - COUNTERSHAFT H.E. (5TH & 9TH) (65T) (FOR PS125-9A)
	201-196-2	201-196-2R	GEAR - COUNTERSHAFT H.E. (5TH & 9TH) (46T) (FOR PSO140-9A)
27	551013	551013	BEARING - CONE FRONT COUNTERSHAFT
28	550375	550375	BEARING - CUP FRONT COUNTERSHAFT
29	201-47-3	201-47-3	RING - COUNTERSHAFT (1ST) THRUST
30	550182	550182	BEARING - CONE REAR COUNTERSHAFT
31	550375	550375	BEARING - CUP REAR COUNTERSHAFT
32	201-228-1-1	201-228-1-1	SHIM - COUNTERSHAFT REAR BEARING (.005 THICK)
	201-228-1-2	201-228-1-2	SHIM - COUNTERSHAFT REAR BEARING (.010 THICK)
	201-228-1-3	201-228-1-3	SHIM - COUNTERSHAFT REAR BEARING (.015 THICK)
	201-228-1-4	201-228-1-4	SHIM - COUNTERSHAFT REAR BEARING (.020 THICK)
	201-228-1-5	201-228-1-5	SHIM - COUNTERSHAFT REAR BEARING (.030 THICK)
33	201-360-1	201-360-1	PLATE - RETAINER COUNTERSHAFT
34	545002-1	545002-1	SCREW - PLATE RETAINING COUNTERSHAFT
35	201-196-12	201-196-12	GEAR - COUNTERSHAFT REVERSE - RANGE (21T)
36	330952	330952	WASHER - COUNTERSHAFT REVERSE DRIVE GEAR RETAINING
37	545001-5	545001-5	SCREW - REVERSE DRIVE GEAR RETAINING WASHER

# SPICER® TYPE PS125-9A & PSO140-9A

FIGURE	OEM REF #	WORLD AMERICAN™ #	DESCRIPTION
38	550996	550996	BEARING - COUNTERSHAFT FRONT
39	330955	330955	WASHER - COUNTERSHAFT REVERSE IDLER THRUST
40	201-5-2	201-5-2	GEAR - REVERSE IDLER COUNTERSHAFT
41	550997	K55X63X25	BEARING - NEEDLE REVERSE IDLER
42	201-30-18	201-30-18	COUNTERSHAFT S/ASSY. - RANGE
43	550998	550998	BEARING - COUNTERSHAFT REAR
44	201-47-6	201-47-6	RING - THRUST MAINSHAFT DRIVE GEAR
45	201-8-39	201-8-39	GEAR - MAINSHAFT HEAD END (30T)
46	201-494-1	201-494-1	RACE - SYNCHRONIZER OUTER
47	201-466-2	201-466-2R	GEAR - CLUTCH DRIVE (HIGH RANGE)
48	330954	330954	WASHER - MAINSHAFT CLUTCH GEAR RETAINING (HIGH RANGE)
49	545001-5	545001-5	SCREW - CLUTCH GEAR RETAINING WASHER (HIGH RANGE)
50	201-563-1-1X	201-563-1-1X	SYNCHRONIZER - HIGH & LOW
51	201-72-9-1X	201-72-9-1X	KIT - SYNCHRONIZER SPRINGS (INCLUDES (3) SPRINGS)
52	201-465-4	201-465-4	COLLAR - CLUTCH - HIGH & LOW RANGE
53	201-362-3	201-362-3	OUTPUT SHAFT - 10 SPLINE (2.500.0.0)
54	313668-X	313668-X	KIT - NEEDLE BEARING - OUTPUT SHAFT
55	201-8-41	201-8-41	GEAR - OUTPUT - LOW RANGE (52T)
56	201-47-4	201-47-4	WASHER - THRUST OUTPUT SHAFT
57	313628X	313628X	S/ASSY - BEARING AND SPACER OUTPUT SHAFT
58	201-37-6	201-37-6	SPACER - SPEEDOMETER
	201-452-1	201-452-1	ELECTRONIC SPEEDOMETER SIGNAL GEAR (16 GROOVES)
	201-452-2	201-452-2	SPEEDOMETER DRIVE GEAR (4T)
	97-453-1	97-453-1	SPEEDOMETER DRIVEN GEAR (12T)
	201-452-3	201-452-3	SPEEDOMETER DRIVE GEAR (8T)
	97-453-7	97-453-7	SPEEDOMETER DRIVEN GEAR (16T)
59	330734	330734	WASHER - OUTPUT SHAFT NUT
60	545065	545065	NUT - OUTPUT SHAFT (1.75" - 16 UNEF-3B)



# SPICER<sup>®</sup> TYPE TRANSMISSION PARTS INTERCHANGE

OEM REF #	WORLD AMERICAN™ #	DESCRIPTION
1001-W	1001-W	SPACER - CM30, 3000
101-1-4	101-1-4	GEAR - HEAD END DRIVE COUNTERSHAFT - FRONT (38T) ESO66-7B
101-1-5	101-1-5	GEAR - HEAD END DRIVE COUNTERSHAFT - FRONT (45T) ES52-7B
101-196-2	101-196-2	GEAR - 6TH SPEED COUNTERSHAFT - FRONT (38T) ES52-7B
101-196-6	101-196-6	GEAR - 5TH SPEED COUNTERSHAFT - FRONT (34T)
101-196-8	101-196-8	GEAR - 4TH SPEED COUNTERSHAFT - FRONT (24T)
101-196-9	101-196-9	GEAR - 6TH SPEED COUNTERSHAFT - FRONT (45T) ESO66-7B
101-30-2-1X	101-30-2-1X	COUNTERSHAFT - FRONT (16T/12T)
101-30-4	101-30-4	COUNTERSHAFT - REAR (WITH PTO DRIVE) (13T/13T)
101-35-4-1X	101-35-4-1X	DRIVE GEAR - 25T, 9.89", 1.750" - 10 Spl .9837"
101-362-5-1X	101-362-5-1X	MAINSHAFT SUB-ASSEMBLY
101-362-6-1X	101-362-6-1X	MAINSHAFT SUB-ASSEMBLY
101-362-7-1X	101-362-7-1X	MAINSHAFT SUB-ASSEMBLY
101-37-1	101-37-1	SPACER - 4TH & 5TH COUNTERSHAFT - FRONT
101-381-1	101-381-1	SNAP RING - 5TH & 6TH SPEED THRUST WASHER
101-381-2	101-381-2	SNAP RING - 3RD & 4TH SPEED THRUST WASHER
101-381-4	101-381-4	RING - SNAP 1ST SPEED THRUST WASHER
101-464-1X	101-464-1X	SYNCHRONIZER - 6TH & 7TH MAINSHAFT
101-464-2X	101-464-2X	SYNCHRONIZER - 4TH & 5TH MAINSHAFT
101-464-3X	F208323	SYNCHRONIZER - 2ND & 3RD MAINSHAFT
101-465-7	101-465-7	COLLAR - 1ST & REVERSE CLUTCH
101-466-2	101-466-2	GEAR - 6TH & 7TH MAINSHAFT CLUTCH
101-466-4	101-466-4	GEAR - 4TH & 5TH MAINSHAFT CLUTCH
101-466-7	101-466-7	GEAR - 4TH & 5TH MAINSHAFT CLUTCH
101-468-1	101-468-1	BAFFLE - OIL
101-468-2	101-468-2	OIL RING
101-47-1	101-47-1	WASHER - 5TH & 6TH SPEED THRUST
101-47-2	101-47-2	WASHER - 3RD & 4TH SPEED THRUST
101-47-4	101-47-4	WASHER - THRUST REVERSE GEAR



***HUNDREDS TO CHOOSE FROM!***

# ® SPICER TYPE TRANSMISSION PARTS INTERCHANGE

OEM REF #	WORLD AMERICAN™ #	DESCRIPTION
101-47-5	101-47-5	WASHER - 1ST SPEED THRUST
101-47-6	101-47-6	WASHER - 2ND SPEED THRUST
101-482-1	101-482-1	BEARING - DRIVE GEAR
101-482-1	101-482-1	BEARING - INTERMEDIATE SHAFT
101-5-2	101-5-2	GEAR - REVERSE IDLER (31T)
1016-W	1016-W	SPACER, 4 OR 5 GEAR - CM50, 5000, ES62-5
101-8-10	101-8-10	GEAR - 3RD SPEED MAINSHAFT (29T)
101-8-14	101-8-14	GEAR - 1ST SPEED MAINSHAFT GEAR (64T)
101-8-16	101-8-16	GEAR - REVERSE MAINSHAFT - REAR (57T)
101-8-2	101-8-2	GEAR - 6TH SPEED MAINSHAFT ES52-7B (25T)
101-8-21	101-8-21	GEAR - 7TH SPEED MAINSHAFT ESO66-7B (22T)
101-8-22	101-8-22	GEAR - 7TH SPEED MAINSHAFT ESO66-7B (22T)
101-8-23	101-8-23	GEAR - 6TH SPEED MAINSHAFT ES52-7B (25T)
101-8-24	101-8-24	GEAR - 5TH SPEED MAINSHAFT (30T)
101-8-25	101-8-25	GEAR - 4TH SPEED MAINSHAFT (30T)
101-8-26	101-8-26	GEAR - 2ND SPEED MAINSHAFT (35T)
101-8-28	101-8-28	GEAR - 3RD SPEED MAINSHAFT (29T)
101-8-6	101-8-6	GEAR - 5TH SPEED MAINSHAFT (30T)
101-8-8	101-8-8	GEAR - 4TH SPEED MAINSHAFT (30T)
105-C-137	105-C-137	FORK CLUTCH - CM50, 55, 60-14" & 15.5" 2 PLATE
201-196-12	201-196-12	REVERSE GEAR - 21T
201-196-2	201-196-2	COUNTERSHAFT GEAR 4TH & 8TH - 46T
201-196-31	201-196-31	COUNTERSHAFT GEAR 1ST - 24T
201-196-33	201-196-33	COUNTERSHAFT GEAR 2ND & 6TH - 37T
201-196-35	201-196-35	COUNTERSHAFT GEAR 5TH & 9TH - 65T
201-196-44	201-196-44	COUNTERSHAFT GEAR 3RD & 7TH - 39T
201-210-4-1	201-210-4-1	KEY
201-210-4-2	201-210-4-2	KEY
201-210-4-3	201-210-4-3	KEY
201-228-1	201-228-1	ADJUSTER
201-260-1	201-260-1	PLATE OIL SEAL
201-30-14	201-30-14	COUNTERSHAFT
201-30-9	201-30-9	M/S SECONDARY
201-312-3	201-312-3	COUNTERSHAFT GEAR POWER TRANS
20135-2	201-35-2R	MAIN DRIVE GEAR
201-35-6	201-35-6	MAIN DRIVE GEAR
201-35-7	201-35-7	MAIN DRIVE GEAR
201-35-7	201-35-7	MAIN DRIVE GEAR
201-362-1	201-362-1R	MAINSHAFT
201-362-3	201-362-3	MAIN DRIVE GEAR
201-381-3	201-381-3	SNAP RING
201-465-2	201-465-2	COLLAR 4/5TH & 8/9TH
201-465-2	201-465-2	M/S GEAR 3RD & 8TH - 46T
201-465-2	201-465-2	COLLAR 1ST & REVERSE
201-465-4	201-465-4R	COLLAR HIGH & LOW
201-466-2	201-466-2	M/S INPUT GEAR
201-47-2	201-47-2	SNAP RING
201-47-3	201-47-3	BEARING
201-47-4	201-47-4	WASHER
201-47-5	201-47-5	SNAP RING
201-47-6	201-47-6	SPACER
201-494-1	201-494-1	M/S CLUTCH
201-494-6-1X	201-494-6-1X	SYNCHRONIZER LOW RING
201-494-7-1X	201-494-7-1X	SYNCHRONIZER HIGH RING
201-5-2	201-5-2	M/S REVERSE GEAR
201-563-1X	201-563-1X	SYNCHRONIZER
201-72-1-1X	201-72-1-1X	SPRING KIT
201-72-9	201-72-9	SPRINGS
201-8-10-1X	201-8-10-1X	M/S REVERSE GEAR KIT
201-8-2	201-8-2R	M/S GEAR 4TH & 8TH - 38T
201-8-35	201-8-35	M/S GEAR 1ST - 58T
201-8-39	201-8-39	M/S GEAR - 30T
201-8-4	201-8-4	M/S GEAR 3RD & 7TH - 44T
201-8-41	201-8-41	MAIN DRIVE GEAR INPUT
201-8-43	201-8-43	M/S GEAR 5TH & 9TH - 40T
201-8-53	201-8-53	M/S GEAR 5TH & 9TH - 46T
20-381-1	20-381-1	SNAP RING
20-381-1	20-381-1	SNAP RING
21-381-1	21-381-1	SNAP RING - CM50, 5000, ES62-5

# SPICER® TYPE TRANSMISSION PARTS INTERCHANGE

OEM REF #	WORLD AMERICAN™ #	DESCRIPTION
27-381-5	27-381-5	SNAP RING - CM50
27-381-5	27-381-5	RING - SNAP 6TH SPEED COUNTERSHAFT - FRONT
30-1-23	30-1-23	C.S. 5TH GEAR - CM30, 3000
30-1-26	30-1-26	C.S. 5TH GEAR - CM30, 3000
30-196-23	30-196-23	C.S. 3RD GEAR - CM30, 3000
30-196-24	30-196-24	C.S. 3RD GEAR - CM30, 3000
30-196-39	30-196-39	C.S. 4TH GEAR - CM30, 3000
30-35-96	30-35-96	MAIN DRIVE GEAR - CM30, 3000
30-35-97	30-35-97	MAIN DRIVE GEAR - CM30, 3000
30-362-18	30-362-18	MAINSHAFT - CM30, 3000
30-37-14	30-37-14	SYNCHRO. BUSHING - CM30, 3000
30-381-5	30-381-5	SNAP RING - CM30, 3000
30-466-5	30-466-5	SYNCHRO. HUB - CM30, 3000
30-482-4	30-482-4	NEEDLE BEARING KIT - CM30, 3000
30-8-47	30-8-47	M.S. 4TH GEAR - CM30, 3000
30-8-48	30-8-48	M.S. 3RD GEAR - CM30, 3000
30-8-49	30-8-49	M.S. 2ND GEAR - CM30, 3000
30-8-50	30-8-50	M.S. 1ST & REV. GEAR - CM30, 3000
30-8-72	30-8-72	M.S. 3RD GEAR - CM30, 3000
30-8-78	30-8-78	M.S. 4TH GEAR - CM30, 3000
310227X	310227XR	SYNCHRO. 2 & 3 - CM60, 6000
310662X	310662X	NEEDLE BEARING KIT - CM50, 5000, ES62-5
311475-X	311475-X	SNAP RING KIT - CM30, 3000
312475-28X	312475-28XR	GASKET SET- CM50, 55, ES62-5
312475-40X	312475-40XR	GASKET SET - CM49, ES42-5, ES52-5
312477-35X	312477-35X	REPAIR KIT - CM5052A, B, C
312477-4X	312477-4X	REPAIR KIT - 5000 SERIES
312589-X	312589	COUNTERSHAFT - CM30, 3000
312714-X	312714X	REPAIR KIT - CM30, 3000
312764X	312764XR	SYNCHRO. 4 & 5 - CM50, 5000
312766X	312766X	SYNCHRO. 4 & 5 - CM60, 6000, ES52-5
313024-10X	313024-10X	SNAP RING KIT - T1412 SST-12
313024-11X	313024-11X	SNAP RING KIT - 1372 B/M 301271 SST-7
313024-13X	313024-13X	REPAIR KIT - CM5052A, B, C
313024-14X	313024-14X	REPAIR KIT - CM55
313024-15X	313024-15XSR	SNAP RING KIT - 1372 B/M 301225 SST-7
313024-16X	313024-16X	SNAP RING KIT - CM5052A, B, C
313024-17X	313024-17X	SNAP RING KIT - CM5052A, B, C
313024-18X	313024-18X	REPAIR KIT - CM55
313024-18X	313024-1X	SNAP RING KIT - T63,1214-2A, 3A
313024-22X	313024-22X	SNAP RING KIT - T210, ES65-5 T210, ES70-5, 10202A
313024-24X	313024-24X	SNAP RING KIT - T1000-4, T1241
313024-25X	313024-25X	SNAP RING KIT - T1372 B/M 301290, 301405, SST-7
313024-27X	313024-27X	SNAP RING KIT - PS125-7, PS1407, PS110-7A, B
313024-28X	313024-28X	SNAP RING KIT - FS52-7B, ES66-7B
313024-2X	313024-2X	SNAP RING KIT - T1052, 1253, 1062 A, B, C, D 1263
313024-5X	313024-5X	SNAP RING KIT - T1107
313024-6X	313024-6X	SNAP RING KIT - T1252, 1452, 1453, PS130, PS105
313024-7X	313024-7XSR	SNAP RING KIT - T1352, 14521453 SST-5
313024-8X	313024-8X	SNAP RING KIT - T1362, 1364, 1463, 1207, SST 6+1
313240-3X	313240-3X	M.D. GEAR KIT - CM5052A, B, C
313401-13X	313401-13X	THRUST WASHER KIT - CM50, ES52-5
313429-11X	313429-11X	SNAP RING KIT - CM5052A, B, C
313429-6X	313429-6X	REPAIR KIT - CM55
313453X	313453X	SYNCHRO. 4 & 5 - CM55
313459X	313459XR	SYNCHRO. 2 & 3 - CM55
313471X	313476X	SYNCHRO. 2 & 3 - CM40, ES42-5
313535X	313535X	SYNCHRO. 4 & 5 - CM55
313536X	313536X	SYNCHRO. 2 & 3 - CM55
313558X	313775X	SYNCHRO. 4 & 5 - CM40, ES42-5, ES52-5
313628X	313628X	BEARING KIT
313645X	313645X	BEARING KIT
313645X	313645X	BEARING KIT
313764X	313764XR	SYNCHRO. 1 & 2 - CM40, ES42-5, ES52-5
313775X	313775X	SYNCHRO. 4 & 5 - CM40, ES42-5, ES52-5
313775X	313775XR	SYNCHRONIZER - 6TH & 7TH MAINSHAFT
313776X	313776XR	SYNCHRONIZER - 4TH & 5TH MAINSHAFT

# ® SPICER TYPE TRANSMISSION PARTS INTERCHANGE

OEM REF #	WORLD AMERICAN™ #	DESCRIPTION
313777X	313777X	SYNCHRONIZER - 2ND & 3RD MAINSHAFT
330592	330592	NUT, MAINSHAFT - CM50, 5000, ES62-5
330734	330734	WASHER MAIN DRIVE GEAR
330818	330818	WASHER, 3 & 4 - CM50, 5000
330866	330866	SPACER, 1ST GEAR - CM50, ES62-5
330867	330867	WASHER, REVERSE - CM50, ES62-5
330952	330952	NUT
330954	330954	WASHER
330955	330955	WASHER
40-1-1	40-1-1	C.S. GEAR DRIVE - CM40, ES42-5
40-196-1	40-196-1	C/S 4TH GEAR - CM40
40-196-3	40-196-3	C.S. 3RD GEAR - CM40
40-196-5	40-196-5	C.S. 2ND GEAR - CM40
40-196-7	40-196-7R	C/S 4TH GEAR - CM40
40-35-12-1X	40-35-12	MAIN DRIVE GEAR - CM40
40-35-16	40-35-22	MAIN DRIVE GEAR - CM40
40-35-18	40-35-12	MAIN DRIVE GEAR - CM40
40-35-22	40-35-22	MAIN DRIVE GEAR - CM40
40-362-1	40-362-1	MAINSHAFT - CM40
40-381-1	40-381-1	SNAP RING - CM40
40-381-1	40-381-1	SNAP RING - 6TH & 7TH CLUTCH GEAR
40-381-3	40-381-3	SNAP RING - CM40
40-381-3	40-381-3	RING - SNAP COUNTERSHAFT HEAD END GEAR
40-381-4	40-381-4	SNAP RING - CM40
40-381-4	40-381-4	SNAP RING - 4TH & 5TH CLUTCH GEAR
40-465-11	40-465-11	CLUTCH COLLAR, 1ST & REV - CM40, ES42-5
40-466-1	49-466-2	M.S. CLUTCH GEAR, 4 & 5 - CM40
40-466-2	40-466-2	M.S. CLUTCH GEAR, 2 & 3 - CM40, ES42-5
40-8-11	40-8-11	M.S. 3RD GEAR - CM4054D
40-8-17	40-8-17	M/S 3RR GEAR - CM40
40-8-19	40-8-19	M/S 4TH GEAR - CM40
40-8-21	40-8-21	M/S 4TH GEAR - CM40
40-8-3	40-8-3	M.S. 3RD GEAR - CM40
40-8-5	40-8-5	M.S. 2ND GEAR - CM40, ES42-5
40-8-7	40-8-7R	M.S. 1ST GEAR - CM40
40-8-9	40-8-9	M.S. REV. GEAR - CM40
44-72-2	44-72-10	SPRING - CM50, 5052A, B, C
46-1-20	46-1-20	C.S. 5TH GEAR - CM5652A
46-1-8	46-1-8	C.S. 5TH GEAR - CM5652A, 57-5856
46-196-11	46-196-11R	C.S. 3RD GEAR - CM5052A, B, C, D, CM5252A
46-196-13	46-196-13	C.S. 3RD GEAR - CM5052C, D
46-196-17	46-196-17	C.S. 3RD GEAR - CM5052D, 5552D, 5756, 5852A
46-196-21	46-196-21	C.S. 3RD GEAR - CM5000, 5052A, B, C
46-196-29	46-196-29	C.S. 3RD GEAR - CM5852B, 5552B, 5052B, 5652A, B
46-196-35	46-196-35	C.S. 4TH GEAR - CM5552B, 5052B, 5652A, 5752A
46-196-37	46-196-37R	M.S. 2ND GEAR - CM5052B, C, 5652A, B
46-196-38	46-196-38	M.S. 2ND GEAR - CM5052A, C
46-196-40	46-196-40	C.S. 4TH GEAR - CM5052C, D, 5552C, D, 5252A, 5852A
46-30-12-1X	46-30-12	COUNTERSHAFT - CM5000
46-35-36	46-35-36	MAIN DRIVE GEAR - CM5652A, 5852B
46-35-36G	46-35-36G	MAIN DRIVE GEAR - CM5652A, 5852B
46-35-84	46-35-84	MAIN DRIVE GEAR - CM5652A, 5852B, C
46-362-20	46-362-20	MAINSHAFT W/ BUSHING - 5000 SERIES
46-362-21	46-362-21	MAINSHAFT - CM5652A, 5852B
46-37-6	46-37-6	BUSHING - CM5652A, 5852B
46-381-1	46-381-1	SNAP RING - CM5000
46-381-2	46-381-2	SNAP RING - CM5000
46-381-7	46-381-7	SNAP RING - CM5000
46-463-8	46-463-8	OIL SEAL - CM5000, CM50
46-486-2	46-486-2	KEY KIT (30 PCS.) - CM50, 5000
46-5-12	46-5-12	REVERSE GEAR - CM5652A
46-60-2	46-60-2	SHAFT, REV. IDLER - CM5052A, B, C
46-8-19	46-8-19	M.S. 3RD GEAR - CM5652A, 5856
46-8-31	46-8-31R	M.S. 2ND GEAR - CM56-5752A, C, 5753A, 5756B
46-8-35	46-8-35R	M.S. 3RD GEAR - CM5652A, 5852B
46-8-37	46-8-37R	M.S. GEAR, 1ST & REV. - CM5652A, 5752A, 5000
46-8-39	46-8-39	M.S. 4TH GEAR - CM5652A, 5752, 5752A

# SPICER<sup>®</sup> TYPE TRANSMISSION PARTS INTERCHANGE

OEM REF #	WORLD AMERICAN™ #	DESCRIPTION
46-8-41	46-8-41	M.S. 2ND GEAR - CM5652A, B
46-8-82	46-8-82	M.S. 3RD GEAR - CM5052A, 5652, 5752
46-8-84	46-8-84	M.S. 4TH GEAR - CM5052A, 5052C, 5652, B
46-8-87	46-8-87R	M.S. 3RD GEAR - CM50, 5052A, C
46-8-89	46-8-89	M.S. 4TH GEAR - CM5052B, 5652A, 5752
46-8-93	46-8-93R	M.S. 3RD GEAR - CM5052D, 5252A, C, 5753A, 5756B
46-8-95	46-8-95	M.S. 3RD GEAR - CM5052B, 5652A
46-8-96	46-8-96R	M.S. 4TH GEAR - CM5052D, 5252A, 5756B
47-1-1	47-1-1	C.S. DRIVE GEAR - CM5052A, B, C, D, CM5552A, B, C, D
47-1-3	47-1-3	C.S. DRIVE GEAR - CM5852A, 5252A
47-16-1-1	47-16-1	COVER (EMPTY) - CM5052A, B, C
47-19-82	47-19-82	RETAINER - CM5052A, B, C
47-210-1	47-210-1	M.S. KEY - CM50
47-30-1	47-30-1	COUNTERSHAFT - CM50
47-35-32	53-35-12-1X	MAIN DRIVE GEAR - CM50
47-362-1	47-362-1R	MAINSHAFT - CM50
47-37-3	47-37-3	BUSHING - CM50
47-465-1	47-465-1	COLLAR, 1ST & REV. - CM50, ES62-5
47-5-1	47-5-1	REVERSE GEAR - CM50
47-8-1	47-8-1	M.S. 1ST GEAR - CM50
47-8-3	47-8-3R	M.S. 2ND GEAR - CM5052A, D, 5252A
47-8-5	47-8-5R	M.S. REVERSE GEAR - CM50
47-8-6	47-8-6R	M.S. 2ND GEAR - CM5052B, C
49-1-1	49-1-1	C.S. DRIVE GEAR - CM49, ES52-5
49-196-1	49-196-1	C.S. 2ND GEAR - CM49
49-196-3	49-196-3	C.S. 3RD GEAR - CM49, ES52-5
49-196-5	49-196-5	C.S. 4TH GEAR - CM49, ES52-5
49-196-7	49-196-7	C.S. 4TH GEAR - CM4954D, ES52-5D
49-30-3	49-30-3	COUNTERSHAFT - CM49, ES52-5
49-30-7	49-30-7	COUNTERSHAFT - CM49, ES52-5
49-35-3-1X	49-35-3-1X	MAIN DRIVE GEAR - CM49, ES52-5
49-35-8-1X	49-35-8-1XR	MAIN DRIVE GEAR - CM49, ES52-5
49-362-1	49-362-1	MAINSHAFT - CM49, ES52-5
49-381-1	49-381-1	SNAP RING - CM49, ES52-5
49-466-2	40-466-2	CLUTCH GEAR, 4 & 5 - CM49, ES42-5, ES52-5
49-466-4	49-466-4	GEAR - 6TH & 7TH MAINSHAFT CLUTCH
49-8-1	49-8-1	M.S. REVERSE GEAR - CM49, ES52-5
49-8-11	49-8-11	M.S. 4TH GEAR - ES52-5D, 4954D
49-8-3	49-8-3	M.S. 1ST GEAR - CM49, ES52-5
49-8-5	49-8-5	M.S. 2ND GEAR - CM49, ES52-5
49-8-7	49-8-7R	M.S. 3RD GEAR - CM49, ES52-5
49-8-9	49-8-9	M.S. 4TH GEAR - CM49, ES52-5
500008-24	500008-24	M.S. KEY - CM30
500008-37	500008-37	C.S. KEY - CM50, 5652, 5852
500010-2	500010-2	M.S. KEY - CM50, 5652, 5852
500010-3	500010-3	C.S. KEY - CM30
500010-8	500010-8	C.S. KEY - ALL SERIES 9000
500566-5	500566-5	BALL- MAINSHAFT THRUST WASHER
500566-5	500566-5	BALL - THRUST WASHER
501200	501200	NUT - MAINSHAFT - REAR (1.250" -18)
545065	545065	BOLT MAIN DRIVE GEAR
550182	550182	BEARING
550375	550375	BEARING
550868	550868	BEARING - CONE COUNTERSHAFT - FRONT
550868	550868	BEARING - CONE COUNTERSHAFT - REAR
550886	WJ162116	BEARING - REVERSE IDLER
550975	550975	NEEDLE BEARING
550978	550978	BEARING - CUP COUNTERSHAFT - FRONT
550978	550978	BEARING - CUP COUNTERSHAFT - REAR
550986	550986	BEARING - MAINSHAFT POCKET
550989	1211L	BEARING - MAINSHAFT - REAR
550991	550991	BEARING - 2ND SPEED NEEDLE
550991	F208323	BEARING - 3RD SPEED NEEDLE
550991	F208323	BEARING - 1ST SPEED NEEDLE
550991	F208323	BEARING - REVERSE MAINSHAFT NEEDLE
550996	550996	BEARING
550997	550997	BEARING



# SPICER<sup>®</sup> TYPE TRANSMISSION PARTS INTERCHANGE

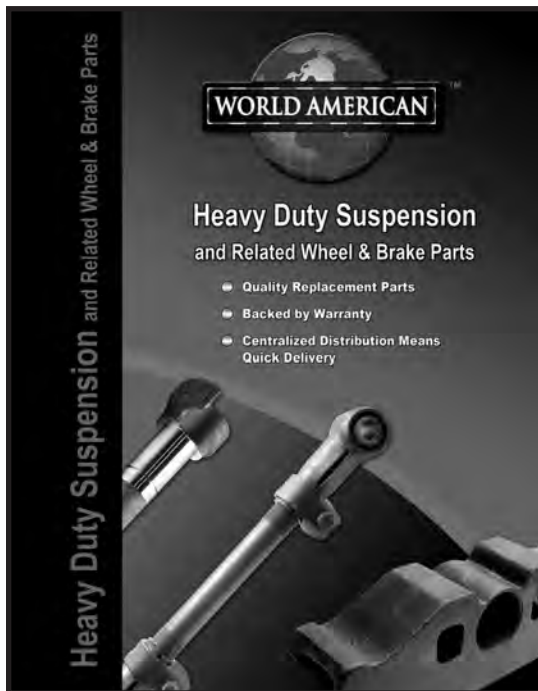
OEM REF #	WORLD AMERICAN™ #	DESCRIPTION
550998	550998	BEARING
550999	550999	BEARING
551000	551000	BEARING KIT
551003	K47X53X25A	BEARING - 6TH SPEED NEEDLE
551004	K55X63X20	BEARING - 5TH SPEED NEEDLE
551005	551005	BEARING - 4TH SPEED NEEDLE
551006	551006	BEARING - 4TH SPEED NEEDLE
551007	551007	BEARING - INTERMEDIATE COUNTERSHAFT - FRONT
50-80-1	50-80-1	ROLLER - CM50, 5052A, B, C
50-80-4	50-80-4	ROLLER - CM50, 5052A, B, C
50-80-5	50-80-5	ROLLER - CM50, 5052A, B, C
53-196-3	53-196-3R	C-SHAFT GEAR - CM5852A
53-205-1	53-205-1	WASHER - MAINSHAFT NUT - REAR
53-35-1-1X	53-35-1XR	MAIN DRIVE GEAR - CM5052
53-35-14-1X	53-35-14	MAIN DRIVE GEAR - CM5852A
53-35-15-1X	53-35-15-1XR	MAIN DRIVE GEAR - CM5852A
53-35-19-1X	53-35-19-1XR	MAIN DRIVE GEAR - CM5852
53-35-2-1X	53-35-2-1XR	MAIN DRIVE GEAR - CM5052A
53-35-3-1X	53-35-3-1XR	MAIN DRIVE GEAR - CM5052A, D
53-35-9-1X	53-35-9-1XR	MAIN DRIVE GEAR - CM5552A, B
53-362-3	53-362-3R	MAINSHAFT - CM55, ES62-5
53-381-2	53-381-2	SNAP RING - CM5552
53-466-1	53-466-1R	M.S. CLUTCH GEAR, 2 & 3 - CM5552, 5852
53-486-1	53-386-1	KEY - CM5552
53-66-3	53-66-3	SHIFT FORK, 2ND & 3RD - CM55, CM59, ES60-5
53-8-1	53-8-1R	M.S. GEAR, REVERSE - CM55
53-8-10	53-8-10R	M.S. 2ND GEAR - CM5552A, D, CM5852D
53-8-14	53-8-14R	M.S. 3RD GEAR - CM5552D, 5852A
53-8-16	53-8-16	M.S. 3RD GEAR - CM5552A
53-8-18	53-8-18	M.S. 3RD GEAR - CM5552A
53-8-21	53-8-21R	M.S. 4TH GEAR - CM5552D, CM5852A
53-8-22	53-8-22R	M.S. 4TH GEAR - CM5552A, C
53-8-23	53-8-23	M.S. 4TH GEAR - CM5552A, C
53-8-24	53-8-24R	M.S. 2ND GEAR - CM5552A, 5552D, 5852A
53-8-26	53-8-26R	M.S. 3RD GEAR - CM5552D, 5852A
53-8-28	53-8-28R	M.S. 3RD GEAR - CM5552
53-8-5	53-8-5	M.S. 2ND GEAR - CM55
53-8-9	53-8-9R	M.S. 1ST GEAR - CM55
53Q-15	53Q-15	SPIRAL PIN - CM5052A, B, C
545001-5	545001-5	PIN
545001-5	545001-5	BOLT
545002-1	545002-1	BOLT
54Q-13	54Q-13	SPIRAL PIN - CM5052A, B, C
55Q-7	55Q-7	WASHER - CM5052A, B, C
56Q-25	56Q-25	SPRING - CM5052A, B, C
59-1-2	59-1-2	M/S 5TH GEAR - CM59, ES60-5
59-196-1	59-196-1	C/S 4TH GEAR - CM59, ES60-5
59-196-2	59-196-2	C/S 4TH GEAR - CM59, ES60-5
59-196-4	59-196-4	C/S 3RD GEAR - CM59, ES60-5
59-196-8	59-196-8	C/S 3RD GEAR - CM59, ES60-5
59-30-3	59-30-3	COUNTERSHAFT - CM59, ES60-5
59-35-3	59-35-3-1XR	MAIN DRIVE GEAR - CM60-ES
59-381-1	59-381-1	SNAP RING - CM59, ES60-5
59-381-2	59-381-2	SNAP RING - CM59, ES60-5
59-466-3	59-466-3	M.S. CLUTCH GEAR, 2 & 3
59-482-1	59-482-1-1XR	NEEDLE BEARING KIT - CM50, 5052A, B, C
59-66-1	59-66-1	SHIFT FORK, 2 & 3 - CM55, CM59, ES60-5
59-8-1	59-8-1	M/S 4TH GEAR - CM59, ES60-5
59-8-2	59-8-2	M/S 4TH GEAR - CM59, ES60-5
59-8-7	59-8-7	M/S 3RD GEAR - CM59, ES60-5
59-8-8	59-8-8	M/S 3RD GEAR - CM59, ES60-5
62-30-17	311450XR	COUNTERSHAFT (311450X) - CM6000
62-35-77	62-35-77	MAIN DRIVE GEAR - CM6000
62-35-98	62-35-98	MAIN DRIVE GEAR - CM6000
62-362-26	62-362-26	MAINSHAFT (311678-X) - CM6000
62-381-4	62-381-4	SNAP RING - CM6452A, 6453, 5852G, 6052C
62-381-5	62-381-5	SNAP RING - CM6452A, 6453, 5852G, 6052C

# SPICER<sup>®</sup> TYPE TRANSMISSION PARTS INTERCHANGE

OEM REF #	WORLD AMERICAN™ #	DESCRIPTION
62-381-6	62-381-6	SNAP RING - CM6452A, 6453, 5852G, 6052C
62-381-7	62-381-7	SNAP RING - CM6452A, 6453, 5852G, 6052C
62-381-8	62-381-8	SNAP RING - CM6452A, 6453, 5852G, 6052C
62-381-9	62-381-9	SNAP RING - CM6452A, 6453, 5852G, 6052C
62-463-8	62-463-8	OIL SEAL - CM50, 5000, 6000, CM60
62-466-14	62-466-14	M.S. CLUTCH, 2 & 3 - CM6052
62-8-36	62-8-36R	GEAR, 1ST & REV - CM6000
62-8-38	62-8-38	M.S. 2ND GEAR - CM6352, 6452A, 6453, 6852S
62-8-40	62-8-40	M.S. 3RD GEAR - CM6052A, T210-CM60
62-8-42	62-8-42	M.S. 4TH GEAR - CM6052A
62-8-43	62-8-43	M.S. 3RD GEAR - CM6452A, 6453, 5852G, 6052C
62-8-64	62-8-64	M.S. 2ND GEAR - CM6454C, 6852C, D, E, J, 6853, 54C
62-8-78	62-8-78	M.S. 4TH GEAR - CM6352E, 6852G, 6854
63-35-34	63-35-34-1X	MAIN DRIVE GEAR - T210 - CM60
63-35-37	63-35-37-1X	MAIN DRIVE GEAR - T210 - CM60
63-60-1	63-60-1	SHAFT REV. GEAR - CM50, 5052A, B, C
63-60-1	63-60-1	SHAFT - REVERSE IDLER
63-8-4	63-8-4	M.S. 2ND GEAR - CM6052A, 6252A, 6052D
69Q-6	69Q-6	SNAP RING - CM5052A, B, C
7735X	7735X	SYNCHRO. 2 & 3 - CM30, 3000
7736X	7736X	SYNCHRO. 4 & 5 - CM30, 3000
8072X	8072XR	SYNCHRO. 2 & 3 - CM50, 5000
82-381-1	82-381-1	SNAP RING - CM5052A, B, C
82-381-1	82-381-2	SNAP RING - CM5052A, B, C, 5000
82-381-2	82-381-2	SNAP RING
82-381-2	82-381-2	SNAP RING - COUNTERSHAFT DRIVE GEAR
97-1-21	97-1-21	C/S 5TH GEAR - 1310-2A, 1410-3A, TSPO155-16A
97-1-61	97-1-61	C/S 5TH GEAR - 1310-2A, 1410-3A, TSPO155-16A
97-196-53	97-196-53	C/S 3RD GEAR - 1310-2A, 1410-3A, TSPO155-16A
97-35-34	97-35-34	MAIN DRIVE GEAR - 1310-2A, 1410-3A, TSPO155-16A
97-35-36	97-35-36	MAIN DRIVE GEAR - 1010-2A, 1410-2A, TSPO155-16A
97-35-39	97-35-39	MAIN DRIVE GEAR - TSPO155-16A
97-35-6	97-35-6	MAIN DRIVE GEAR (312832-X) - TSPO155-16A
97-35-9	97-35-9	MAIN DRIVE GEAR - 1010-2A, 3A, 4A, 5A
97-362-51	97-362-51	MAINSHAFT - 1010, 1214-1020-1420, TSPO155-16A
97-381-1	97-381-1	SNAP RING - 9000 SERIES ALL
97-381-2	97-381-2	SNAP RING - 9000 SERIES ALL
97-381-31	97-381-31	SNAP RING - 9000 SERIES ALL
97-381-32	97-381-32	SNAP RING - 9000 SERIES ALL
97-381-34	97-381-34	SNAP RING - 9000 SERIES ALL
97-381-4	97-381-4	SNAP RING - 9000 SERIES ALL
97-381-5	97-381-5	SNAP RING - 9000 SERIES ALL
97-465-11	97-465-11	CLUTCH GEAR - 9000 SERIES ALL
97-465-21	97-465-21	COLLAR, 2ND & 3RD - 1352A, 1272, 1007, 1207, 1107-2A
97-465-26	97-465-26	COLLAR SPLITTER - 1010-1214-1020-1420, TSPO155-16A
97-465-27	97-465-27	COLLAR, LOW GEAR - 1412-1414-1207-1420
97-465-50	97-465-50	M.S. COLLAR - 1214-1020-1420
97-465-7	97-465-50	COLLAR, 2ND & 3RD - 1214-1020-1420
97-466-13	97-466-13	SLIDING COLLAR - 1412-1414-1420, TSPO155-16A
97-466-17	97-466-17	PINION GEAR - 1214-1020-1420
974-W	974-W	WASHER, REV. GEAR - CM5652, 5852, 5000
975-W	975-W	WASHER - CM50
976-W	976-W	WASHER - CM6000, CM60
97-8-106	97-8-106	M/S GEAR - 1010-3A, PSO140-12B
97-8-108	97-8-108	M/S GEAR - 1010-3A, PSO140-12B
97-8-113	97-8-113	M.S. 1 & 4 GEAR - TSPO155-140, 16, 16A 165-18
97-8-127	97-8-127	M.S. 3 & 4 GEAR - 1010-3A, PSO140-12B
97-8-159	97-8-159	M/S GEAR - 1010-3A, PSO140-12B
97-8-161	97-8-161	M.S. LOW GEAR - TSPO155-14, 16, 16A 165-18
97-8-220	97-8-220	M/S LOW GEAR - 1010-3A, PSO140-12B
97-8-248	97-8-248	M.S. GEAR (97-8-159) - 1412-1414-1420, TSPO155-16A
97-8-249	97-8-249	M.S. LOW GEAR (97-8-220) - TSPO155-16A
97-8-305	97-8-305	M.S. 5TH & 8TH GEAR - TSPO155-16A
97-8-32	97-8-32	M/S GEAR - 1010-3A, PSO140-12B
97-8-34	97-8-34	M.S. 9TH & 10TH GEAR (312831-X) - 1010-3A, PSO140-12B
97-8-83	97-8-83	M.S. 5TH & 6TH GEAR - 1010-3A

# SPICER® TYPE TRANSMISSION PARTS INTERCHANGE

OEM REF #	WORLD AMERICAN™ #	DESCRIPTION
98-381-1	98-381-1	SNAP RING - 9000 SERIES ALL
98-381-2	98-381-2	SNAP RING - 9000 SERIES ALL



**NEW!**

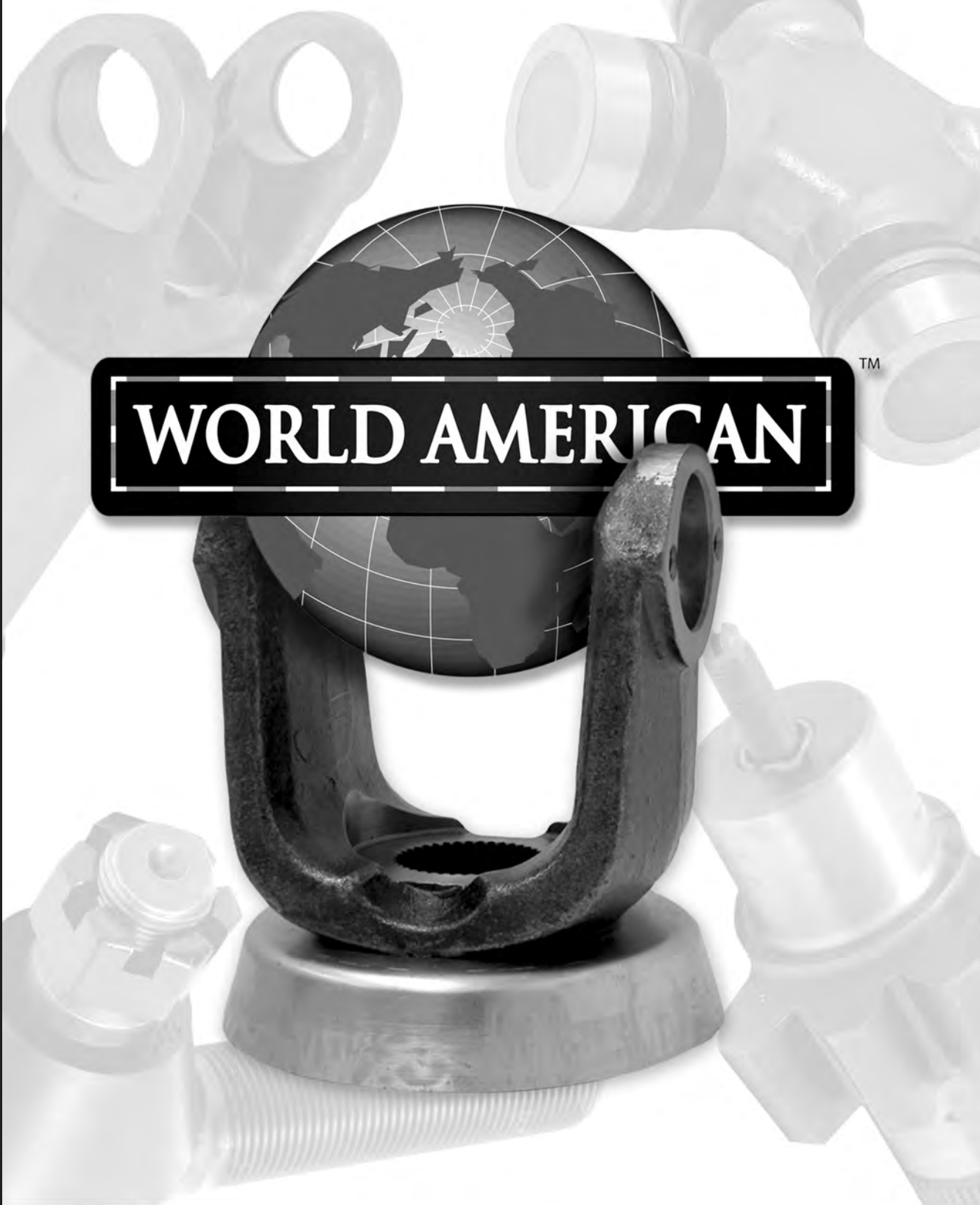
**Heavy Duty Suspension and Related Wheel & Brake Parts**  
Find all of your heavy duty suspension, wheel & brake parts here! Included are camshafts, hangers, seals, bushings, u-bolt kits, hub caps, torque arms, studs, nuts, lock rings and more!

## World American also supplies:

- ▶ Gears & axle shafts
- ▶ Bearing kits
- ▶ Brakes
- ▶ Clutches
- ▶ Steering components
- ▶ Mid-range components
- ▶ Driveline
- ▶ Hydraulics PTO and dump pumps
- ▶ Airbrake valves
- ▶ Engine water pumps

VISIT US ONLINE TO VIEW ALL OF OUR PRODUCT OFFERINGS!

[www.worldamerican.com](http://www.worldamerican.com)



**WORLD AMERICAN**

TM

**worldamerican.com**

**We specialize in many applications including  
transmission, driveline, differential,  
brake components, air valves and more.**

**We wholesale products for the light, medium and heavy  
duty drivetrain markets; as well as the performance racing  
and off road markets.**

### The Midwest Family

Midwest Truck & Auto Parts, Inc.™ was divided into specialty divisions in order to provide better service and product lines to the entire customer base.

World American™ supplies transmission, differential, brake, steering, driveline and suspension products to the global heavy duty aftermarket. World American has one of the largest selections of gear ratios and bearing kits in America. Product quality, performance, value and customer satisfaction is taken seriously and guaranteed at World American. The heavy duty product line offers a wide range of differential & transmission components, bearing kits, clutches, brake components, and steering & electrical safety components.

Motive Gear® (Light Duty and 4x4) was founded in 1984 and has grown into one of America's leading wholesale supplier of quality aftermarket drivetrain components for truck and car applications. Motive Gear produces and markets ring and pinion gears, axle shafts, differentials, clutches, drivetrains, bearing kits, spindle drives, manual transmission components, 4x4 components, nodular housings, transfer cases, drive chains, winches, locking hubs, lockers and much more.

Motive Gear Performance® was established in 1994 in an effort to provide customers with an even greater range of quality products specializing in performance differential components for street, stock car, and strip use.



**midwesttruck.com  
worldamerican.com  
motivegear.com**







## WARRANTY

MIDWEST TRUCK & AUTO PARTS, INC.<sup>™</sup> warrants that all new MIDWEST TRUCK & AUTO PARTS, INC.<sup>™</sup>, except as otherwise provided herein, will be free from defects in material and workmanship for the first 6 months or 50,000 miles, whichever occurs first, with the sole exception of its heavy duty alternators and starters, the warranty for which shall extend for the first year, with no mileage limit. THIS WARRANTY WILL NOT APPLY IF ANY PART HAS BEEN MODIFIED, DAMAGED OR IS DEFECTIVE AS A RESULT OF ANY ACCIDENT, MISUSE, USE IN COMPETITIVE APPLICATIONS, IMPROPER INSTALLATION, NEGLIGENCE, REPAIR OR ALTERATION.

COMPETITION PARTS ARE SOLD "AS IS", WITHOUT ANY WARRANTY WHATSOEVER. IMPLIED WARRANTIES, INCLUDING WARRANTIES OF MERCHANTABILITY OR FITNESS FOR A PARTICULAR PURPOSE, ARE EXCLUDED. THE ENTIRE RISK AS TO THE QUALITY AND PERFORMANCE OF SUCH PARTS IS WITH THE BUYER. SHOULD SUCH PARTS PROVE DEFECTIVE FOLLOWING THEIR PURCHASE, THE BUYER, AND NOT THE MANUFACTURER, DISTRIBUTOR OR RETAILER, ASSUMES THE ENTIRE COST OF ALL NECESSARY SERVICING OR REPAIR.

The MIDWEST TRUCK & AUTO PARTS, INC.<sup>™</sup> parts warranty is voided if the part is used for competition or if it has been modified.

To make a warranty claim on parts used in non-competitive applications, distributors should contact MIDWEST TRUCK & AUTO PARTS, INC.<sup>™</sup> distributor for a Return Goods Authorization (RGA) Number. No returns will be accepted without an RGA Number. All parts should be returned to MIDWEST TRUCK & AUTO PARTS, INC.<sup>™</sup>, freight prepaid. MIDWEST TRUCK & AUTO PARTS, INC.<sup>™</sup> will issue a credit equal to the original purchase price for all defective parts covered by this warranty. In the event that a warranty claim cannot be substantiated by MIDWEST TRUCK & AUTO PARTS, INC.<sup>™</sup>, the parts will be returned to the customer, freight collect.

THIS WARRANTY IS IN LIEU OF ALL OTHER WARRANTIES, EXPRESSED OR IMPLIED, INCLUDING, BUT NOT LIMITED TO, ANY IMPLIED WARRANTY OF MERCHANTABILITY OR FITNESS FOR A PARTICULAR PURPOSE, AND IN NO EVENT WILL MIDWEST BE LIABLE FOR INCIDENTAL, SPECIAL OR CONSEQUENTIAL DAMAGES INCLUDING, BUT NOT LIMITED TO, ANY LABOR COSTS.